

HTM81 D4

HTM82 D4

Welcome and thank you for choosing

Bowers & Wilkins. Our founder, John Bowers, believed that imaginative design, innovative engineering and advanced technology were keys that could unlock the enjoyment of audio in the home. His belief is one that we continue to share and inspires every product we design.

The 800 Series Diamond is the world's most advanced range of loudspeakers. Each model benefits from thoughtful installation, so we would suggest that you take some time to read this manual before you begin the installation process. **Continue to page 4 →**

Bienvenido a Bowers & Wilkins. Gracias por elegir

Bowers & Wilkins. John Bowers, nuestro fundador, estaba firmemente convencido de que el diseño imaginativo, la ingeniería innovadora y la tecnología avanzada eran las claves a la hora de llevar el disfrute del sonido a la intimidad del hogar. Una creencia que seguimos compartiendo y que inspira todos y cada uno de los productos que diseñamos.

La Serie Diamond 800 es la gama de cajas acústicas más avanzada del mundo. Cada uno de los modelos que la constituyen se beneficiará de una instalación a conciencia, por lo que le sugerimos que antes de llevarla a cabo se tome su tiempo para leer este manual.

Continúa en la página 13 →

Welkom en dank u voor het kiezen van Bowers

& Wilkins. Onze oprichter John Bowers, was ervan overtuigd dat een fantasievol ontwerp, innovatieve techniek en moderne technologie de sleutels vormden tot muziekbeleving thuis. Het is deze overtuiging waar we nog steeds van uitgaan en die de inspiratie vormt voor elk product dat we ontwerpen.

De 800 Serie Diamond is 's werelds meest geavanceerde model luidsprekers. Elk model is voorzien van een slimme installatiemethode en daarom raden we u aan dat u de tijd neemt om deze handleiding te lezen voordat u aan het installeren begint. **Lees verder op pagina 22 →**

Bienvenue et merci d'avoir choisi Bowers et

Wilkins. Lorsque John Bowers a créé sa société, il savait déjà qu'un design imaginatif, une conception innovante et une technologie avancée seraient les clés du plaisir de l'écoute de la musique à domicile. C'est cette philosophie qui, aujourd'hui, continue de nous inspirer pour la conception de chaque nouvel appareil.

La 800 Series Diamond est la gamme d'enceinte acoustique la plus avancée au monde. Chaque modèle bénéficiera d'une mise en œuvre soignée, aussi nous vous suggérons de prendre le temps de lire ce manuel avant d'en commencer l'installation. **Suite page 7 →**

Bem-vindo e obrigado por escolher a Bowers &

Wilkins. O nosso fundador, John Bowers, acreditava que um design criativo, engenharia inovadora e tecnologia avançada eram as chaves que poderíamos abrir portas para se desfrutar de áudio em casa. A sua crença é algo que continuamos a partilhar e que inspira cada produto que concebemos.

A Série 800 Diamond é a gama mais avançada de colunas, a nível mundial. Cada modelo tira partido de uma instalação cuidadosa, pelo que recomendamos que leia este manual antes de iniciar o processo de instalação. **Continuação na página 16 →**

Καλώς ήρθατε και ευχαριστούμε που επιλέξατε την

Bowers & Wilkins. Ο ιδρυτής μας, John Bowers, πίστευε ότι η ευφάνταστη σχεδίαση, η καινοτομία στην ανάπτυξη και η εξελιγμένη τεχνολογία θα ήσαν τα κλειδιά που θα άνοιγαν νέους κόσμους απόλαυσης του ήχου στο σπίτι. Αυτή την πίστη τη συνεχίζουμε να μοιραζόμαστε και αυτή εμπνέει κάθε προϊόν που σχεδιάζουμε.

Η 800 Series Diamond είναι η πιο εξελιγμένη σειρά ηχείων στον κόσμο. Κάθε μοντέλο επωφελείται από την προσεκτική εγκατάσταση, οπότε θα προτείνουμε να αφιερώσετε λίγο χρόνο στην ανάγνωση αυτού του εγχειριδίου προτού ξεκινήσετε τη διαδικασία εγκατάστασης. **Συνέχεια στη σελίδα 25 →**

Willkommen bei Bowers & Wilkins.

Der Firmengründer John Bowers war der Meinung, dass ein wunderschönes Design, eine innovative Konstruktion und ausgeklügelte Technologien die Schlüssel zu Audio-Entertainment der Extraklasse in Ihrem Zuhause sind. Wir teilen seine Meinung und jedes von uns entwickelte Produkt basiert darauf.

Die Modelle der 800 Serie Diamond gehören zu den besten Lautsprechern weltweit. Ihre Installation sollte gut durchdacht werden. Wir empfehlen daher, sich die Zeit zu nehmen und diese Bedienungsanleitung vor der Installation zu lesen. **Fortsetzung auf Seite 10 →**

Benvenuti e grazie per aver scelto un prodotto

Bowers & Wilkins. Il nostro fondatore, John Bowers, era convinto che design attraente, capacità d'innovare e tecnologie all'avanguardia fossero fattori vincenti per la riproduzione audio domestica. Le sue idee sono ancor oggi condivise da noi tutti e fonte d'ispirazione per ogni nuovo modello che progettiamo.

I modelli della Serie 800 Diamond sono tra i più avanzati diffusori al mondo e meritano quindi di venir installati in maniera scrupolosa. Vi suggeriamo pertanto di leggere attentamente questo manuale prima di iniziare. **Continua a pagina 19 →**

Добро пожаловать и благодарим вас за приобретение

продукта компании Bowers & Wilkins.

Наш основатель, Джон Бауэрс, верил в то, что творческий подход в проектировании, новаторская конструкция и передовые технологии смогут открыть людям путь к подлинному звучанию в доме. Мы продолжаем разделять его веру, и она вдохновляет нас при проектировании всех новых продуктов.

Серия 800 Diamond – это самые совершенные в мире акустические системы. Каждая модель может получить преимущества от продуманной установки, поэтому мы рекомендуем вам уделить некоторое время на прочтение этого Руководства перед тем как начать процесс установки. **Продолжение на стр. 28 →**

Vítejte u Bowers & Wilkins. Děkujeme Vám, že jste si zvolili značku Bowers & Wilkins. Když John Bowers zakládal naši firmu věřil, že nápadité provedení, novátorský přístup a pokročilé technologie jsou klíčem otevírajícím dveře kvalitní reprodukci. Touto filozofií se dodnes inspirováme, kdykoli tvoříme nový produkt.

Reposoustavy řady 800 Diamond jsou jedněmi z nejlépe sofistikovaných reposoustav na světě. Pro každý z modelů je však důležitá jeho správná instalace. Dříve než začnete, věnujte tedy prosím trochu času přečtení tohoto manuálu. **Pokračujte na stranu 31 →**

Hoş geldiniz ve Bowers & Wilkins'ı seçtiğiniz için

teşekkür ederiz. Kurucumuz John Bowers, yaratıcı tasarımının, yenilikçi mühendisliğin ve ileriici teknolojinin, evde sesin keyfini çıkarmanın kilidini açacak anahtarlar olduğuna inanıyordu. O'nun inancının paylaşmayı sürdürmekteyiz ve bu inanç, tasarladığımız her ürüne ilham vermektedir.

800 Diamond serisi, dünyanın en gelişmiş hoparlörleri sınıfındadır. Her bir model, dikkatli kurulum gerektirmektedir, bu nedenle kurulum işlemine başlamadan önce bu kullanım kılavuzunu okumaya zaman ayırmanızı öneririz. **Devamı Sayfa 40'te →**

Bowers & Wilkins製品をお買い上げいただき、ありがとうございます。B&Wの創業者であるJohn Bowersは、創意に富んだデザインと革新的な工業技術、そして先進技術が、家庭でもオーディオを十分に楽しむ鍵であると信じていました。現在でも彼の信念はB&Wで共有されており、この信念はB&Wが設計するすべての製品に命を吹き込んでいます。

800シリーズ・ダイヤモンドは世界最先進クラスのスピーカーです。慎重な据え付けを行うことによって各モデルの持ち味が発揮されます。設定する前にこのマニュアルをよく読んでください。**49ページに続く →**

Köszönjük, hogy a Bowers & Wilkins-t választotta.

Amikor John Bowers megalapította a társaságot, célja az volt, hogy az ötletes dizájn, innovatív megoldások és fejlett technológia révén tökéletesítse az otthoni hangzásvilág élményét. Ez az elképzelés mai napig a vállalat mozgatórugója, amely minden termékünk tervezését meghatározza.

A 800 Diamond sorozat a világ legfejlettebb hangsugárzóiból áll. Mindegyik modell beüzemelésé nagy odafigyelést igényel, ezért javasoljuk, hogy szánjon egy kis időt ennek az útmutatónak az elolvasására.

Folytatódik a 34.oldalon →

欢迎并感谢您选购 Bowers & Wilkins 产品。

我们的创办人John Bowers先生相信充满想象的设计、创新的工程和先进的技术是开启家庭音响娱乐大门的重要元素。我们依然坚持着他的信念，并赋予我们所有产品设计灵感。

800 Diamond系列是世界上最先进的扬声器系列。周详的安装可使扬声器发挥最佳音效，因此我们建议在开始安装过程前，请花一些时间阅读本手册。

第 43 页(续) →

Bowers & Wilkins 제품을 구매하여 주신데 대해 깊이 감사 드립니다.

Bowers & Wilkins의 창립자 John Bowers는 가정에서 오디오의 즐거움을 느끼게 하는 중요 요소는 창의력이 풍부한 디자인, 혁신적 엔지니어링과 고도의 기술이라고 확신하였습니다. 그의 신념은 현재도 Bowers & Wilkins에서 공유되고 있으며 Bowers & Wilkins가 설계하는 모든 제품에 생명을 불어 넣고 있습니다.

800 시리즈 다이아몬드는 성능이 매우 뛰어난 스피커로서 설치하는데 세심한 주의가 필요합니다. 사용하기 전에 이 매뉴얼을 잘 읽어 보시기 바랍니다.

52쪽에 계속 →

Witamy i dziękujemy za wybór produktu Bowers & Wilkins.

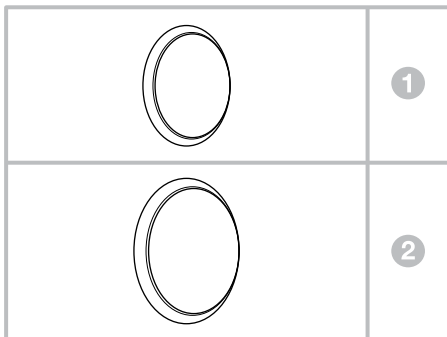
John Bowers założył swoją firmę, ponieważ wierzył, że ciekawy wygląd, innowacyjna konstrukcja i zaawansowana technologia są kluczem do rozkoszowania się dźwiękiem w domowym zaciszu.

Seria 800 Diamond jest najbardziej zaawansowanym asortymentem głośników na świecie. Przemysłana instalacja pozwala na uzyskanie pełni możliwości każdego modelu serii, dlatego też sugerujemy abyście poświęcili Państwo chwilę na przeczytanie niniejszej instrukcji przed rozpoczęciem użytkowania. **Więcej na stronie 37 →**

歡迎並感謝你選購 Bowers & Wilkins 產品。我們的創辦人John Bowers先生相信充滿想像的設計、創新的工程和先進的技術是開啟家庭音響娛樂大門的重要元素。我們依然堅持著他的信念，並賦予我們所有產品設計靈感。

800 Diamond系列是世界上最先進的揚聲器系列。周詳的安裝可使揚聲器發揮最佳音效，因此我們建議在開始安裝過程前，請花一些時間閱讀本手冊。**第46頁(續) →**

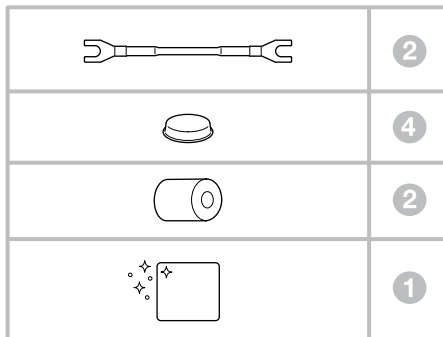
1. Unpacking

**Carton Contents**

- 1 Midrange grille
- 2 Bass grilles
- 2 Terminal link wires
- 4 Self-adhesive plastic pads
- 2 Two-part foam plugs
- 1 Cleaning cloth

The HTM81 D4 and HTM82 D4 are very heavy and we strongly suggest that they are unpacked in the room in which they are to be used by two people working together. It is also a sensible precaution to remove jewellery to negate the risk of scratching the speakers' surface finish.

The table above illustrates the component parts that are packed with the HTM81 D4 and HTM82 D4. In the unlikely event that anything is missing please contact the retailer from whom you purchased the speakers.



The heavier bass/midrange grilles attach magnetically and are packed in a separate compartment to prevent movement in transit.

Note: Care must be taken when fitting or removing the magnetically attached grilles to avoid marking the product. The grilles will mark the speaker / stand plinth if dropped; you can mitigate against this by covering the plinth when fitting or removing the grilles.

Tweeter diaphragms are very delicate and easily damaged. In the 800 Series Diamond we include a steel grille mesh that can protect the tweeter from many forms of damage. However, you should still exercise care when handling and cleaning your loudspeakers.

Environmental Information

This product complies with international directives, including but not limited to:

- i. the **R**estriction of **H**azardous **S**ubstances (RoHS) in electrical and electronic equipment,
- ii. the **R**egistration, **E**valuation, **A**uthorisation and restriction of **C**hemicals (REACH)
- iii. the disposal of **W**aste **E**lectrical and **E**lectronic **E**quipment (WEEE).

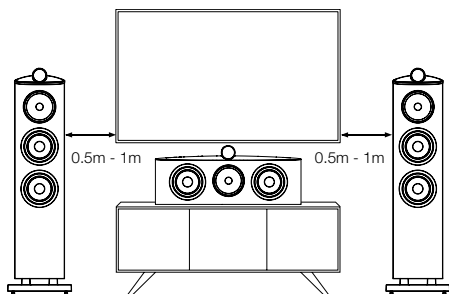
Consult your local waste disposal authority for guidance on how properly to recycle or dispose of this product.

The tweeter assembly on this 800 Series Diamond loudspeaker is a decoupled component that is mechanically isolated from the main part of the cabinet. As such, it may appear to be loose when the product is first removed from its packaging. This is not a fault, it is an inherent feature of the design and ensures optimum performance from your speaker.

If the tweeter assembly has moved during transit and requires adjustment, the assembly can be moved slightly forwards and backwards to ensure that the rear of the tweeter body is aligned with the rear of the speaker cabinet. The tweeter assembly can also be rotated slightly to ensure that the Bowers & Wilkins logo is vertically orientated. Do not force the tweeter into any position beyond the soft end-stops when making these adjustments.

Note: Care must be taken to not damage the decoupling assembly when making these adjustments - please seek assistance from your dealer if you are in any doubt about adjusting the tweeter assembly.

2. Positioning



Speaker Installation

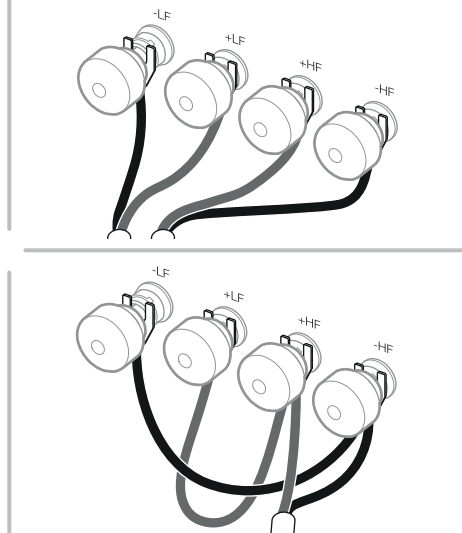
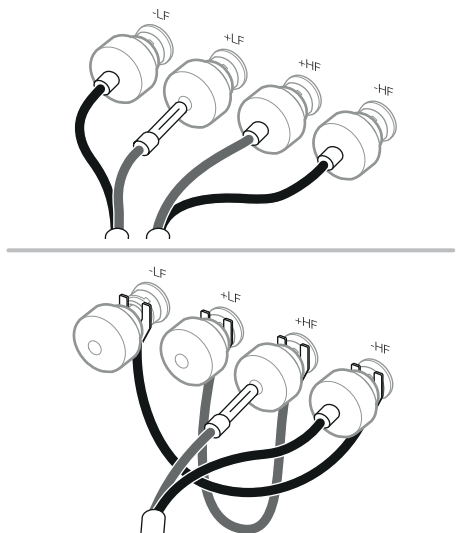
If using a projection television with an acoustically transparent screen, position your HTM81 D4 or HTM82 D4 speaker behind the centre of the screen. Otherwise, position it either directly below or above the screen using either a floor-stand, furniture unit or wall shelf ensuring the speaker is as close to ear height as possible.

If a floor-stand is to be used, we recommend the FS-HTM D4. FS-HTM D4 is an adjustable centre speaker stand that allows either HTM81 D4 or HTM82 D4 to be tilted by either 4° or 8°. This range of adjustment makes it easier for you to 'aim' the speaker at your ear level when you are seated. It is important for both safety and performance that the floor-stand assembly instructions are followed.

If a wall-shelf or furniture unit is used, we recommend using the foam bung inserts (supplied) to optimise port performance (see Section 4: Fine Tuning and Running In).

Note: If using a shelf, ensure that it is strong enough to properly support the weight and fit the 4 self-adhesive plastic feet to the underside of the speaker.

3. Connecting



Important Safety Notice

All connections should be made with the audio equipment switched off. When using audio equipment in normal operation, touching uninsulated speaker terminals or wiring may result in an unpleasant sensation.

The HTM81 D4 and HTM82 D4 speaker terminals accept a variety of cable terminations: 4mm banana plugs, 6mm and 8mm (1/4 in and 5/16 in) spades, or bare wires up to 4mm (5/32 in) diameter.



Important Safety Notice

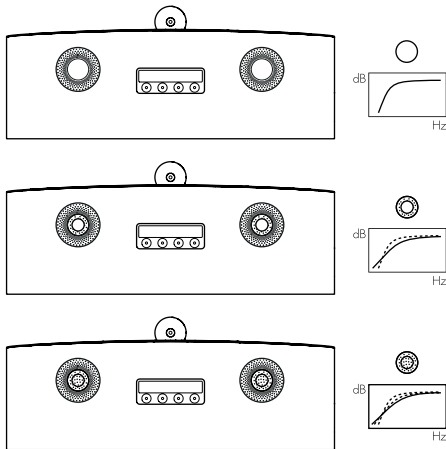
In certain countries, notably those in Europe, the use of 4mm banana plugs is considered a potential safety hazard, because they may be inserted into the holes of unshuttered mains supply sockets. In order to comply with European CENELEC safety regulations, the 4mm holes in the ends of the terminals are blocked by plastic pins. If you are using the products in any country where these conditions apply, you should ensure that any banana plugs cannot be used in an unsafe manner by children or other uninformed persons. The plastic pins can be removed if you wish to use banana plugs.

Ask your dealer for advice when selecting speaker cable. Keep its total impedance below the maximum recommended in the speaker specification and use a low inductance cable to avoid attenuation of high frequencies.

There are two pairs of terminals at the back of each speaker that enable bi-wiring (top). For conventional, single wire connection, fit the supplied link wires to join the like polarity terminals together.

Ensure that the positive terminals on the speaker (with red ring) are connected to the positive output terminal on the amplifier and the negative terminals on the speaker (with black ring) are always connected to the negative output terminal on the amplifier. Incorrect connection will not result in damage but will cause poor audio imaging and loss of bass. Always screw the terminal caps down fully to prevent rattles.

4. Fine Tuning and Running In



Before fine tuning, make sure that all the connections in the installation are correct and secure.

Moving the speakers further from the walls will generally reduce the volume of bass. Space behind the speakers will also help to create an aural impression of depth. Conversely, moving the speakers closer to the walls will increase the volume of bass. If you want to reduce the volume of bass without moving the speakers further from the wall, fit the foam plugs or, for less severe bass reduction, the foam rings in the port tubes (above). Try assessing the impact of fitting the foam plug / ring in one of the ports before assessing the impact of fitting the foam plugs / rings in both ports.

If the bass seems uneven with frequency this will most probably be due to resonance modes in the listening room. Even small changes in the position of the speakers or the listening position can have a profound effect on how these resonances affect the sound. Try moving the listening position or locating the speakers along a different wall. The presence and position of large pieces of furniture can also influence resonance modes.

If the central image lacks focus, try moving the speakers closer together or angling them inward so that they point at a location just in front of the listening position.

If the sound is too bright, increasing the amount of soft furnishing in the room (heavier curtains for example) may help balance the sound. Conversely, reducing the amount of soft furnishing may help brighten a dull sound.

For the most discerning listening, remove the bass/ midrange grilles by gripping around their edges and gently pulling them away from the cabinet.

The performance of your speaker may change subtly during the initial listening period. If it has been stored in a cold environment, the damping compounds and suspension materials of the drive units will take some time to recover their correct mechanical properties. The drive unit suspension will also loosen up during the first hours of use. The time taken for the speaker to achieve its intended performance will vary depending on previous storage conditions and how it is used. As a guide, allow up to a week for the temperature effects to stabilise and 15 hours of average use for the mechanical parts to attain their intended design characteristics.

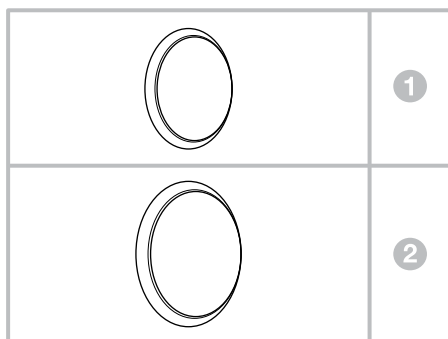
5. Aftercare

The cabinet surfaces will usually only require dusting. We recommend you use the cloth supplied with the product. If you wish to use an aerosol or other cleaner, apply the cleaner onto the cloth, not directly onto the product and test a small area first, as some cleaning products may damage some of the surfaces. Avoid products that are abrasive, or contain acid, alkali or anti-bacterial agents. Do not use cleaning agents on the drive units. Avoid touching the drive units as damage may result.

Whenever Bowers & Wilkins speakers are finished in real wood, the finest veneers are selected and treated with an ultra-violet resistant lacquer to minimise changes in colour over time. Nevertheless, like all natural materials, the veneer will respond to its environment and a degree of colour change is to be expected. Colour differences may be rectified by exposing all the veneer surfaces equally and evenly to sunlight until the colour is uniform. This process can take several days or even weeks, but may be accelerated by careful use of an ultra-violet lamp. Wood veneered surfaces should also be kept away from direct sources of heat such as radiators and warm air vents in order to minimise the possibility of the wood veneer cracking.

The tweeter housing has a textured surface finish that may collect superficial marks when handled and should be cleaned by wiping the supplied cleaning cloth around the housing, in-line with the surface texture.

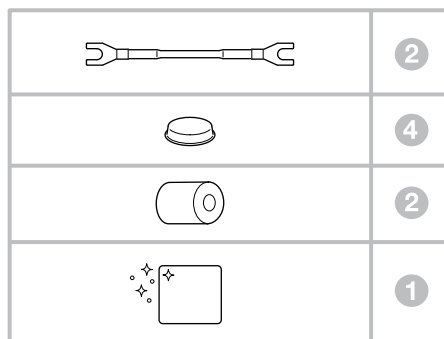
1. Déballage

**Vérification du contenu du carton**

- 1 grille de médiums
- 2 grilles Graves
- 2 câbles de liaison
- 4 pieds plastique auto adhésifs
- 2 bouchons en mousse en deux parties
- 1 chiffon de nettoyage

Les HTM81 D4 et HTM82 D4 sont très lourdes, et nous vous conseillons de les déballer dans la pièce où elles doivent être installées, par deux personnes simultanément. Nous vous recommandons également d'ôter tout bijou susceptible de rayer la finition des enceintes.

Le tableau ci-dessus détaille les différents éléments qui sont fournis avec les HTM81 D4 et HTM82 D4. Dans l'éventualité – peu probable – où l'un des éléments serait manquant, merci de contacter directement le revendeur qui vous a procuré vos enceintes acoustiques.



Les grilles frontales sont fixées par des aimants. La grille du haut-parleur médium et grave, plus lourde, est emballée séparément pour éviter tout mouvement intempêtif pendant le transport.

Remarque : déposez ou reposez avec soin les grilles fixées magnétiquement afin d'éviter de marquer le produit. Les grilles marqueront l'enceinte / le socle en cas de chute ; vous pouvez atténuer ce risque en couvrant le socle lorsque vous déposez ou reposez les grilles.

Les diaphragmes des tweeters sont fragiles et peuvent facilement être endommagés. Pour la 800 Series Diamond, nous avons mis en place une grille en maille d'acier destinée à protéger le tweeter de tout dommage accidentel. Vous devez porter une attention particulière lors de la manipulation et du nettoyage de vos enceintes acoustiques.

Information sur l'environnement

Ce produit est conforme avec les directives internationales, y compris mais sans se limiter à :

- i. la limitation des substances dangereuses (RoHS) dans les équipements électriques et électroniques,
- ii. l'enregistrement, l'évaluation, l'autorisation et la restriction des substances chimiques (REACH)
- iii. l'élimination des déchets électriques et électroniques (WEEE).

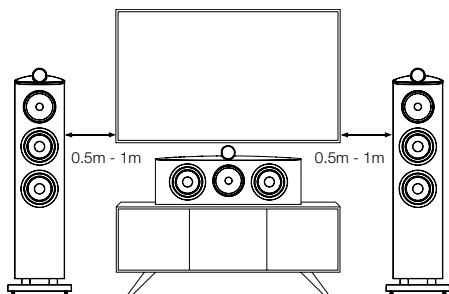
Consultez votre organisme local d'élimination des déchets pour des conseils sur la façon appropriée de recycler ou de jeter ce produit.

Le corps du tweeter de cette gamme d'enceintes 800 Séries Diamond est découplé, ce qui signifie qu'il est mécaniquement isolé du corps principal de l'enceinte. C'est pourquoi il peut apparaître comme mal fixé quand le produit est sorti de son emballage. Il ne s'agit pas d'un défaut. Cela est inhérent à la conception même de l'enceinte afin de garantir au tweeter des performances optimales.

Au cas où le corps du tweeter se serait légèrement déplacé pendant le transport, et qu'il nécessiterait un ajustement, celui-ci peut être déplacé très légèrement vers l'avant et vers l'arrière pour que l'arrière du corps du tweeter soit aligné avec l'arrière de l'enceinte. Le corps du tweeter peut également être tourné très légèrement pour que le logo Bowers & Wilkins soit orienté verticalement. Lors de ces réglages, ne pas forcer sur le corps de tweeter dans un sens ou un autre, au-delà des butées physiques souples.

Remarque : faites très attention à ne pas abîmer le système de découplage en réalisant ces ajustements. Si besoin, faites vous aider par votre revendeur si vous avez le moindre doute sur la manière de réaliser ces réglages.

2. Positionnement



Positionnement des enceintes

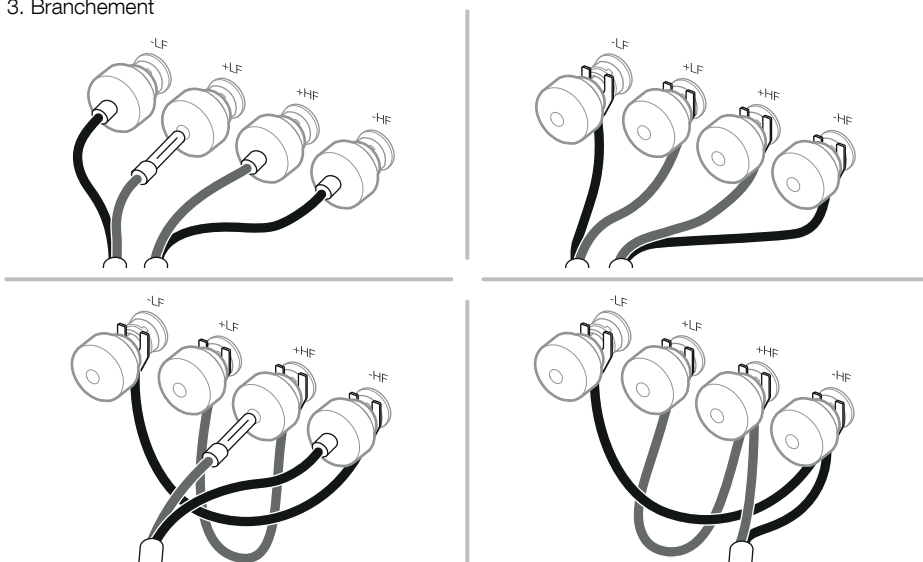
Si vous utilisez un vidéoprojecteur et un écran acoustiquement transparent, positionnez votre enceinte HTM81 D4 ou HTM82 D4 juste derrière et au centre de l'écran. Sinon, installez-la juste au dessus, ou juste au dessous de l'écran en utilisant un stand dédié, un élément de mobilier ou une étagère murale, à une hauteur qui soit la plus proche possible de celle de votre oreille.

Si vous décidez d'utiliser un stand-support, nous vous conseillons le FS-HTM D4. Ce stand permet en effet de régler l'angle d'inclinaison de la HTM81 D4 ou de la HTM82 D4 à 4° ou à 8°. Cette possibilité d'inclinaison facilite l'ajustement de la position de l'enceinte par rapport à vos oreilles lorsque vous êtes assis. Il est en outre important, à la fois en termes de sécurité et de performance, de se conformer aux instructions d'assemblage du stand.

Dans le cas d'une l'intégration dans un meuble ou sur une étagère, nous vous conseillons d'utiliser les tampons en mousse (fournis) pour optimiser les performances de l'événement de décompression (voir le §4 : Réglages et optimisations).

Remarque : si vous posez l'enceinte sur une étagère, assurez-vous qu'elle soit suffisamment solide pour en supporter le poids, et fixez les quatre pieds plastiques adhésifs sur le côté inférieur de l'enceinte.

3. Branchement



Avertissement de sécurité

Tous les branchements doivent être réalisés avec tous les éléments audio hors tension. Lorsque les appareils audio fonctionnent normalement, le fait de toucher les bornes ou les câbles de connexion peut causer une sensation désagréable.

Les prises de branchement des HTM81 D4 et HTM82 D4 acceptent une grande variété de terminaisons de câbles : prises banane 4 mm, fourches 6 mm et 8 mm, ou fil nu jusqu'à 4 mm de diamètre.



Note importante concernant la sécurité

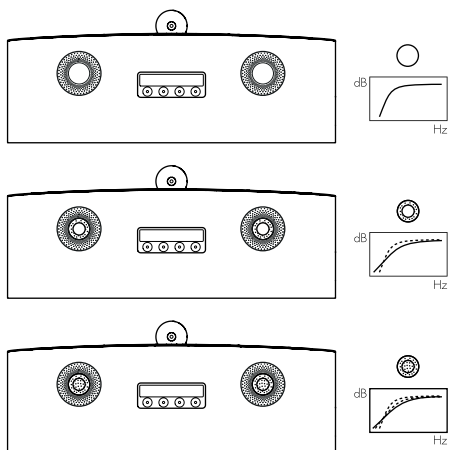
Dans certains pays, notamment en Europe, l'utilisation de fiches banane est considérée comme un risque potentiel d'électrocution, parce que de telles prises peuvent être insérées dans des prises d'alimentation secteur murales non protégées. Afin de satisfaire aux normes de sécurité européennes CENELEC, les trous de 4 mm de ces prises sont donc bloqués par des bouchons en plastique. Si vous utilisez ces prises dans des pays où cette norme de sécurité s'applique, vous devez absolument vous assurer que les fiches banane ne pourront pas être utilisées de manière dangereuse, notamment par des enfants ou des personnes non informées. Les bouchons plastiques doivent être retirés si vous souhaitez utiliser les fiches bananes.

Demandez conseil à votre revendeur pour le choix des câbles de liaison enceintes. Conservez toujours une impédance totale inférieure au maximum recommandé dans les spécifications de l'enceinte et utilisez un câble de faible capacitance pour éviter une atténuation des plus hautes fréquences.

Il y a deux paires de prises à l'arrière de chaque enceinte, afin de permettre le bi-câblage (voir schéma ci-dessus). Pour une liaison conventionnelle avec un seul câble, utilisez les câbles fournis permettant de relier les prises de même polarité sur l'enceinte.

Assurez-vous que les prises positives de l'enceinte (avec l'anneau rouge) sont bien branchées sur les prises de sortie positives de l'amplificateur, et les prises négatives de l'enceinte (avec l'anneau noir) sont bien branchées sur les prises de sortie négatives de l'amplificateur. Une intervention ne produira aucun dommage, mais entraînera une mauvaise image stéréo et une perte de grave. Toujours visser complètement les prises afin d'éviter toute vibration.

4. Réglages et optimisations



Avant de procéder à ces réglages, vérifiez que tous les branchements sont correctement effectués, dans toute l'installation, et fermement sécurisés.

Décaler les enceintes par rapport aux murs de la pièce a généralement pour effet de réduire le niveau général du grave. Un espace suffisant derrière les enceintes acoustiques permet également d'améliorer la sensation de profondeur de la reproduction sonore. Inversement, un rapprochement des enceintes par rapport aux cloisons de la pièce entraîne une augmentation du niveau du grave. Pour réduire le niveau de grave sans modifier la position des enceintes, utilisez les tampons acoustiques fournis dans les événements de décompression, ou, si le niveau de grave à corriger reste limité, utilisez uniquement les anneaux de mousse à la place des tampons, comme illustré ci-dessus. Essayez d'évaluer l'impact de l'installation du tampon en mousse / anneau dans un des ports avant d'évaluer l'impact de leur installation dans tous les ports.

Si vous désirez réduire sensiblement le niveau de grave sans pour autant modifier la position des enceintes par rapport aux murs, placez un des tampons de mousse dans l'événement de décompression. Pour accéder à ces événements, retirez la grille frontale des enceintes en la tirant doucement vers l'avant.

Si le niveau de grave vous paraît tout de même encore trop important, cela est généralement dû à des modes de résonances parasites dans la pièce d'écoute. Une modification, même légère, de la position des enceintes dans la pièce peut alors avoir pour effet des améliorations très sensibles. Essayez de placer les enceintes le long d'un autre mur de la pièce. Le déplacement des meubles les plus encombrants peut également sensiblement modifier les résultats sonores.

Si la focalisation centrale de l'image sonore est mauvaise, essayez de rapprocher les deux enceintes acoustiques, et/ou de modifier leur angle (plus fermé) par rapport à la zone centrale d'écoute privilégiée.

Si le son paraît trop brillant, ajoutez des meubles ou éléments amortissants dans la pièce (par exemple, des tapis plus nombreux ou épais). Inversement, réduisez l'influence de tels éléments si le son semble trop sourd ou éteint.

Pour une écoute encore plus précise, retirez les grilles de protection des haut-parleurs médium et grave en les prenant par leurs angles et en tirant très doucement vers l'avant.

Les performances d'une enceinte acoustique se modifient subtilement pendant une période de rodage initiale. Si l'enceinte a été stockée dans un environnement de faible température, ses composants amortissants et les suspensions des haut-parleurs vont demander un peu de temps avant de retrouver leurs qualités mécaniques optimales. De plus, ces suspensions vont également se « libérer » pendant les premières heures d'utilisation. Ce temps de rodage est variable, suivant la température de stockage et la manière dont vous utilisez les enceintes. En moyenne, comptez un week-end pour que les effets de la température se stabilisent, et une quinzaine d'heures d'utilisation normale pour que tous les composants mécaniques atteignent le fonctionnement parfait correspondant à leur conception mécanique.

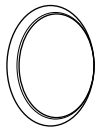
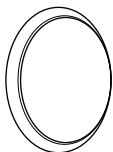
5. Entretien

La surface du coffret ne nécessitera dans la plupart des cas qu'un simple dépoussiérage. Nous vous recommandons d'utiliser le chiffon fourni avec l'appareil. Si vous souhaitez utiliser un aérosol ou un produit d'entretien, appliquez-le sur le chiffon et non directement sur l'appareil, puis testez d'abord ses effets sur une petite surface, certains produits pouvant endommager les surfaces. Évitez tout produit abrasif, ou contenant de l'acide, de l'ammoniaque, ou des agents anti-bactériens. Ne jamais utiliser de produits d'entretien sur les haut-parleurs. Évitez de toucher les haut-parleurs, car vous pourriez les endommager définitivement.

Lorsque les enceintes Bowers & Wilkins utilisent un placage bois véritable, les plus fins vernis sont utilisés et bénéficient d'un traitement avec une laque résistante aux ultra-violets, afin de réduire les modifications de teinte avec le temps. Cependant, comme avec tous les matériaux naturels, qui réagissent à leur environnement, des modifications de teinte sont possibles. Ces différences de teintes peuvent être rectifiées en exposant toutes les surfaces du bois de manière égale à la lumière du soleil, jusqu'à ce que la teinte redevienne uniforme. Cette procédure peut prendre plusieurs jours, voire plusieurs semaines, mais peut être accélérée en utilisant une lampe ultra-violette. Les placages de bois naturel doivent être éloignés des sources de chaleur comme les radiateurs ou l'air chaud soufflant, afin de minimiser autant que possible les craquelures du bois.

Le boîtier du tweeter a une finition de surface texturée, qui peut le cas échéant recevoir des marques superficielles lors de sa manipulation. Il pourra être nettoyé à l'aide du chiffon de nettoyage fourni, en lien avec la texture particulière de sa surface.

1. Auspacken

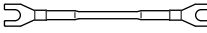



	1
	2

Kartoninhalt

- 1 Mitteltöner-Grill
- 2 Tieftöner-Grills
- 2 Verbindungsbrücken
- 4 selbstklebende Gummipads
- 2 zweiteilige Schaumstoffeinsätze
- 1 Reinigungstuch

Die HTM81 D4 und die HTM82 D4 sind sehr schwer und wir empfehlen, sie in dem Raum, in dem sie später stehen werden, mit zwei Personen auszupacken. Um ein Zerkratzen der Lautsprecheroberfläche zu vermeiden, ist Schmuck vorher abzulegen.

In der Tabelle oben sind die dem HTM81 D4 und dem HTM82 D4 beiliegenden Zubehörteile dargestellt. Sollte der unwahrscheinliche Fall eintreten, dass ein Teil fehlt, wenden Sie sich bitte an den autorisierten Bowers & Wilkins-Fachhändler, bei dem Sie den Lautsprecher gekauft haben.

	2
	4
	2
	1

Alle Grills werden magnetisch befestigt. Der schwerere Grill für den Tief-/Mitteltonbereich ist während des Transports separat verpackt, damit er sich nicht bewegen kann.

Hinweis: Beim Anbringen oder Entfernen der magnetischen Gitter ist Vorsicht geboten, um eine Beschädigung des Produkts zu vermeiden. Sollten die Gitter herunterfallen, sind Schrammen am Lautsprecher-/Ständersockel unvermeidlich. Sie können dies verhindern, indem Sie den Sockel beim Anbringen oder Entfernen der Gitter abdecken.

Die Hochtontalotten sind sehr empfindlich und können daher leicht beschädigt werden. Die Lautsprecher der 800 Serie Diamond verfügen über ein Metallgitter für den Hochtöner, durch das dieser vor Beschädigungen geschützt werden kann. Trotzdem sollten Sie beim Umgang mit dem Lautsprecher und beim Reinigen vorsichtig sein.

Umweltinformation

Dieses Produkt entspricht internationalen Richtlinien. Dazu gehören unter anderem:

- i. die Beschränkung der Verwendung bestimmter gefährlicher Stoffe in Elektro- und Elektronikgeräten (**R**estriction **o**f **H**azardous **S**ubstances (kurz RoHS genannt))
- ii. die Registrierung, Bewertung, Zulassung und Beschränkung chemischer Stoffe (**R**egistration, **E**valuation, **A**uthorisation and **R**estriction of **C**hemicals, kurz REACH)
- iii. die Entsorgung von Elektro- und Elektronik-Altgeräten (**W**aste **E**lectrical and **E**lectronic **E**quipment (WEEE)).

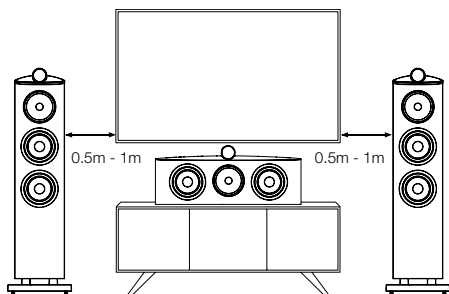
Setzen Sie sich hinsichtlich des Recyclens bzw. der Entsorgung dieses Produktes mit der örtlichen Abfallentsorgung in Verbindung.

Die Hochtoneinheit dieses Lautsprechers der 800 Serie Diamond ist entkoppelt, d. h. mechanisch vom Hauptgehäuse isoliert. Daher mag es beim Herausnehmen aus der Verpackung so erscheinen als sei sie lose. Dies ist nicht der Fall, sondern es handelt sich hierbei um eine spezielle Feature, das zur optimalen Audio-Performance Ihres Lautsprechers beiträgt.

Wenn sich der Hochtöner während des Transports leicht bewegt hat und angepasst werden muss, kann er etwas vor oder zurück verschoben werden, damit die Rückseite des Hochtönergehäuses mit der Rückseite des Lautsprechergehäuses ausgerichtet ist. Der Hochtöner kann zudem etwas gedreht werden, um eine senkrechte Ausrichtung des Bowers & Wilkins Logos zu gewährleisten. Drücken Sie den Hochtöner bei dieser Anpassung nicht über die weichen Endanschläge hinaus.

Hinweis: Bei diesen Anpassungen ist darauf zu achten, dass das Entkopplungselement nicht beschädigt wird – bitte wenden Sie sich an Ihren Händler, wenn Sie Zweifel bezüglich der Einstellung des Hochtöners haben.

2. Positionierung



Installation der Lautsprecher

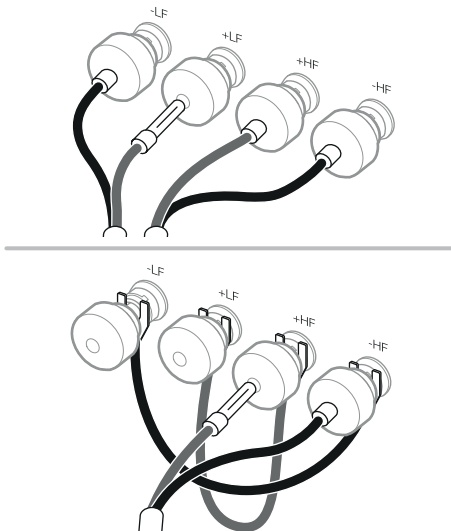
Bei Einsatz eines Projektionsfernsehers mit akustisch transparenter Leinwand positionieren Sie Ihren HTM81 D4 bzw. HTM82 D4 mittig hinter dem Bildschirm. Ansonsten können Sie das Gerät entweder direkt unter oder über dem Bildschirm platzieren. Verwenden Sie in diesem Fall einen Lautsprecherständer, spezielles Mobiliar oder ein Wandregal, um den Lautsprecher möglichst in Ohrhöhe zu bringen.

Als Lautsprecherständer empfehlen wir den FS-HTM D4. Dieser speziell für Centerlautsprecher konzipierte Ständer ist einstellbar, so dass der HTM81 D4 bzw. der HTM82 D4 um 4° bzw. 8° geneigt werden kann. Diese Einstellmöglichkeit bietet den Vorteil, den Lautsprecher genau auf die Höhe Ihres Ohres ausrichten zu können, wenn Sie sitzen. Achten Sie auf die dem Ständer beiliegenden Anweisungen, um die bestmögliche Klangqualität zu erzielen und das notwendige Maß an Sicherheit zu gewährleisten.

Verwenden Sie ein Wandregal oder spezielles Mobiliar, so empfehlen wir Ihnen, die beiliegenden Schaumstoffeinsätze zu nutzen, um die Basswiedergabe zu optimieren (siehe Kapitel 4: Feinabstimmung und Einlaufphase).

Hinweis: Stellen Sie sicher, dass das Regal stabil genug ist, um das Gewicht zu tragen. Zum Lieferumfang gehören selbstklebende Gummipads. Befestigen Sie vier von ihnen an der Unterseite des Lautsprechers.

3. Anschließen



Wichtiger Sicherheitshinweis

Beim Anschließen sollten alle Audiogeräte abgeschaltet sein. Bei der Verwendung von Audiogeräten im normalen Betrieb kann das Berühren von nicht isolierten Lautsprecheranschlüssen oder Kabeln zu einem unangenehmen Gefühl führen.

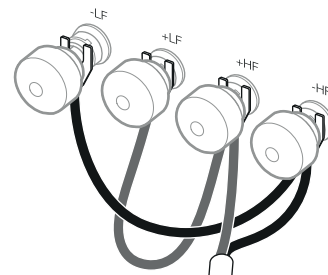
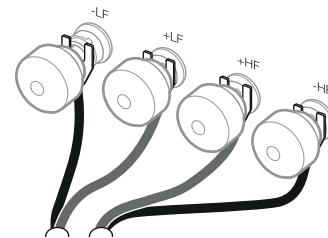
Die Lautsprecherklemmen bieten eine Reihe von Anschlussmöglichkeiten: So können 4-mm-Bananenstecker, 6-mm- und 8-mm-Kabelschuhe sowie blanke Drähte bis zu einem Durchmesser von 4 mm angeschlossen werden.



Wichtiger Sicherheitshinweis

In einigen, hauptsächlich europäischen Ländern wird die Verwendung von 4-mm-Bananensteckern als mögliches Sicherheitsrisiko betrachtet, da sie in die Löcher nicht gesicherter Netzsteckdosen gesteckt werden könnten. Um den europäischen CENELEC-Sicherheitsvorschriften zu entsprechen, sind die 4-mm-Löcher in den Enden der Anschlussklemmen mit Kunststoffstiften gesichert. Setzen Sie den Lautsprecher in einem dieser Länder ein, sollten Sie sicherstellen, dass die Bananenstecker nicht unsachgemäß von Kindern oder anderen nicht informierten Personen genutzt werden. Die Kunststoffstifte können entfernt werden, wenn Sie Bananenstecker verwenden möchten.

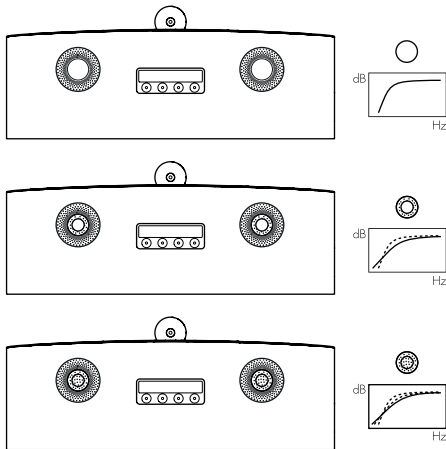
Lassen Sie sich bei der Auswahl der Lautsprecherkabel von Ihrem autorisierten Fachhändler beraten. Die Gesamtimpedanz sollte unterhalb der in den Technischen Daten angegebenen maximalen Kabelimpedanz liegen. Insbesondere sollte das zum Hochtöner führende Kabel eine geringe Induktivität besitzen, da sehr hohe Töne sonst gedämpft werden.



An der Lautsprecherrückseite befinden sich jeweils zwei Paar Anschlussklemmen, wodurch Bi-Wiring möglich ist (siehe oben). Im konventionellen Betrieb bringen Sie die beiliegenden Brücken an, um die Anschlussklemmen gleicher Polarität miteinander zu verbinden.

Stellen Sie sicher, dass die positiven (mit einem roten Ring gekennzeichneten) Anschlussklemmen am Lautsprecher mit dem positiven Ausgang am Verstärker und die negativen (mit einem schwarzen Ring gekennzeichneten) Anschlussklemmen mit dem negativen Ausgang am Verstärker verbunden werden. Ein nicht korrektes Anschließen der Kabel führt zwar nicht zu Beschädigungen, kann aber eine Verschlechterung des Klangbildes und Bassverluste mit sich bringen. Schrauben Sie die Kappen der Lautsprecherklemmen fest zu, um Geräusche zu vermeiden.

4. Feinabstimmung und Einlaufphase



Vergewissern Sie sich vor der Feinabstimmung Ihres Systems noch einmal, dass alle Verbindungen richtig hergestellt wurden und alle Kabel ordnungsgemäß angeschlossen sind.

Ein größerer Abstand zwischen Lautsprechern und Wänden führt zu einer Reduzierung des Bassniveaus. Der Raum hinter den Lautsprechern schafft auch einen Eindruck der Tiefe. Umgekehrt wird das Bassniveau erhöht, wenn die Lautsprecher näher an die Wände gestellt werden. Möchten Sie das Bassniveau reduzieren, ohne den Abstand zwischen Lautsprechern und Wand zu vergrößern, setzen Sie die Schaumstoffeinsätze oder – wenn Sie eine geringere Reduzierung des Bassniveaus wünschen – nur die Schaumstoffringe in die Bassreflexöffnungen ein (siehe oben). Setzen Sie zunächst den Schaumstoffeinsatz/-ring nur in eine Öffnung ein, um die Wirkung zu beurteilen, bevor Sie dann das Einsetzen in beide Öffnungen ausprobieren.

Steht das Bassniveau nicht im Einklang mit der Frequenz, so ist dies auf starke Resonanzen im Raum zurückzuführen. Selbst kleinste Änderungen bei der Lautsprecherpositionierung bzw. in der Hörposition können eine erhebliche Wirkung auf die wahrgenommene Klangqualität haben. So ändert sich die Klangqualität beispielsweise, wenn Sie die Hörposition verändern oder die Lautsprecher an eine andere Wand gestellt werden. Auch das Vorhandensein großer Möbelstücke und deren Position können erhebliche Auswirkungen haben.

Ist das Klangbild in der Mitte schlecht, stellen Sie die Lautsprecher näher zusammen oder so auf, dass sie in Richtung Hörbereich zeigen.

Ist der Klang zu schrill, hilft die Verwendung weicher Einrichtungsgegenstände (wie z. B. schwerer Vorhänge). Umgekehrt sollte man bei dumpfem, leblosem Klang die Verwendung solcher Einrichtungsgegenstände auf ein Minimum reduzieren.

Der anspruchsvolle Hörer sollte den Grill für den Tief-/Mittelnbereich entfernen, indem er die Kanten umfasst und sie vorsichtig vom Gehäuse abzieht.

In der Einlaufphase gibt es feine Unterschiede in der Wiedergabequalität des Lautsprechers. Wurde er in einer kühlen Umgebung gelagert, so wird es einige Zeit dauern, bis die Dämpfungskomponenten und die für die Aufhängung der Chassis eingesetzten Werkstoffe ihre optimalen mechanischen Eigenschaften besitzen. Die Aufhängung der Chassis wird mit den ersten Betriebsstunden beweglicher. Die Zeit, die der Lautsprecher benötigt, um seine maximale Leistungsfähigkeit zu entwickeln, schwankt abhängig von den vorherigen Lager- und Einsatzbedingungen. Grundsätzlich kann man sagen, dass es eine Woche dauert, bis sich die Lautsprecher nach Temperatureinwirkungen stabilisiert haben. 15 Betriebsstunden sind erforderlich, bis die mechanischen Teile ihre Funktion, wie bei der Konstruktion festgelegt, erfüllen können.

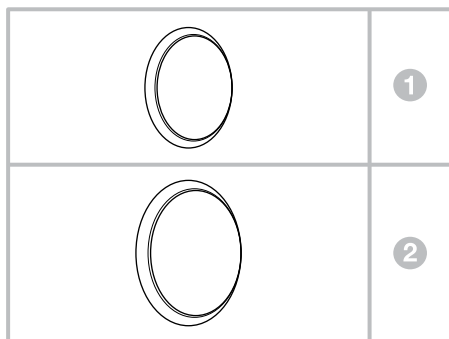
5. Pflege

Die Gehäuseoberfläche muss in der Regel nur abgestaubt werden. Wir empfehlen, dazu das dem Produkt beiliegende Tuch zu nutzen. Bei Verwendung eines Aerosol- oder sonstigen Reinigers sprühen Sie diesen zunächst auf das Tuch, nicht direkt auf das Gerät. Testen Sie zunächst an einer kleinen, unauffälligen Stelle, da einige Reinigungsprodukte die Oberflächen beschädigen. Verwenden Sie keine scharfen bzw. säure- oder alkalihaltigen oder antibakteriellen Produkte. Verwenden Sie für die Chassis keine Reinigungsmittel. Vermeiden Sie es, die Lautsprecherchassis zu berühren, da dies zu Beschädigungen führen kann.

Wird für das Gehäuse von Bower & Wilkins-Lautsprechern Echtholz furnier verwendet, so werden nur die feinsten Furniere ausgewählt und zum Schutz gegen UV-Licht mit einem Speziallack behandelt. Auf diese Weise werden im Laufe der Zeit auftretende Farbveränderungen minimiert. Bitte berücksichtigen Sie aber, dass Holz ein Naturwerkstoff ist, der auf die Einflüsse der Umgebung reagiert, so dass kleine Veränderungen in der Regel nicht ausbleiben. Sie können Farbunterschiede ausgleichen, indem Sie alle Furnieroberflächen gleichmäßig dem Sonnenlicht aussetzen, bis die Farbe wieder einheitlich ist. Dieser Prozess kann mehrere Tage oder sogar Wochen dauern, lässt sich aber durch den vorsichtigen Einsatz einer UV-Lampe beschleunigen. Halten Sie darüber hinaus, um Rissen vorzubeugen, einen ausreichenden Abstand zu direkten Wärmequellen wie Heizkörpern und Warmluftventilatoren.

Das Hochtönergehäuse besitzt eine strukturierte Oberfläche, auf der sich bei Handhabung Oberflächenspuren ansammeln können. Wischen Sie zur Reinigung mit dem beiliegenden Reinigungstuch in Richtung der Oberflächentextur um das Gehäuse herum.

1. Desembalaje

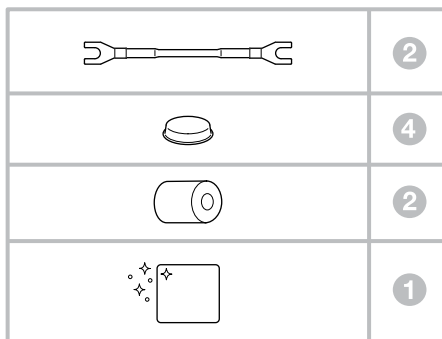


Contenido del Embalaje

- 1 Rejilla protectora de los altavoces de medios
- 2 Rejillas protectoras de los altavoces de graves
- 2 Cables para puentado de los terminales de conexión
- 4 Tacos de plástico autoadhesivos
- 2 Tapones de espuma de dos partes
- 1 Gamuza de limpieza

La HTM81 D4 y la HTM82 D4 son muy pesadas, por lo que recomendamos fervientemente que sean desembaladas por dos personas en la sala en la que vayan a ser instaladas. También es recomendable despojarse de anillos, brazaletes, relojes etc. para evitar el riesgo de que se produzcan rasguños en el acabado de la superficie de las cajas acústicas.

En la tabla superior se muestran los componentes que acompañan a la HTM81 D4 y la HTM82 D4. En el improbable caso de que falte alguno, le rogamos que contacte con el distribuidor donde adquirió sus cajas acústicas.



Todas las rejillas están fijadas magnéticamente. La más pesada, correspondiente a los altavoces de graves y medios, está embalada en un compartimento separado para evitar que se mueva durante su transporte.

Nota: Tenga cuidado al colocar o quitar las rejillas fijadas magnéticamente para evitar marcar el producto. Las rejillas marcarán la base del altavoz/soporte en caso de que se caiga. Puede mitigar el efecto al cubrir la base cuando coloque o retire las rejillas.

Los diafragmas de los tweeters son muy delicados y fáciles de dañar. En la Serie 800 Diamond incluimos una rejilla con una malla de acero para proteger el tweeter de cualquier posible daño. No obstante, aún así usted debería ser lo más cuidadoso posible cuando manipule y limpie sus cajas acústicas.

Información Relativa a la Protección del Medio Ambiente

Este producto satisface varias directivas internacionales relacionadas con la protección del medio ambiente. Entre ellas se incluyen –aunque no son las únicas– las siguientes:

- i. la de Restricción del Uso de Sustancias Peligrosas (RHoS) en equipos eléctricos y electrónicos.
- ii. la de Registro, Evaluación, Autorización y Restricción del Uso de Componentes Químicos (REACH).
- iii. la de Eliminación de Residuos Procedentes de Componentes Eléctricos y Electrónicos (WEEE).

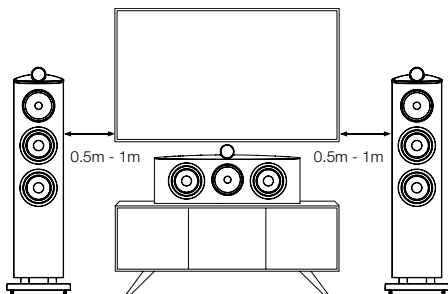
Contacte con sus autoridades locales en materia de gestión de residuos para que le orienten sobre cómo desechar este producto adecuadamente.

El conjunto del tweeter de esta caja acústica de la Serie 800 Diamond es un componente desacoplado que está aislado mecánicamente de la parte principal del recinto. Como tal, es posible que aparente estar suelto cuando el producto sea retirado de su embalaje por primera vez. Esto no es un fallo: es una característica inherente del diseño del citado conjunto y asegura que su caja acústica ofrezca unas prestaciones óptimas.

Si la estructura del tweeter se ha movido ligeramente durante el traslado y necesita ser ajustada, puede desplazarse ligeramente hacia adelante y hacia atrás para asegurar que la parte posterior del cuerpo del tweeter esté alineada con la zona posterior del recinto de la caja acústica. La estructura del tweeter también puede girarse muy ligeramente para asegurar que el logotipo de Bowers & Wilkins esté orientado verticalmente. Cuando realice estos ajustes, no fuerce el tweeter en ninguna posición más allá de los topes blandos.

Nota: Cuando realice estos ajustes, tenga especial cuidado de no dañar la estructura de desacoplo. En caso de que tenga alguna duda sobre el ajuste de la estructura del tweeter, le rogamos que pida ayuda a su distribuidor.

2. Ubicación



Instalación de la Caja Acústica

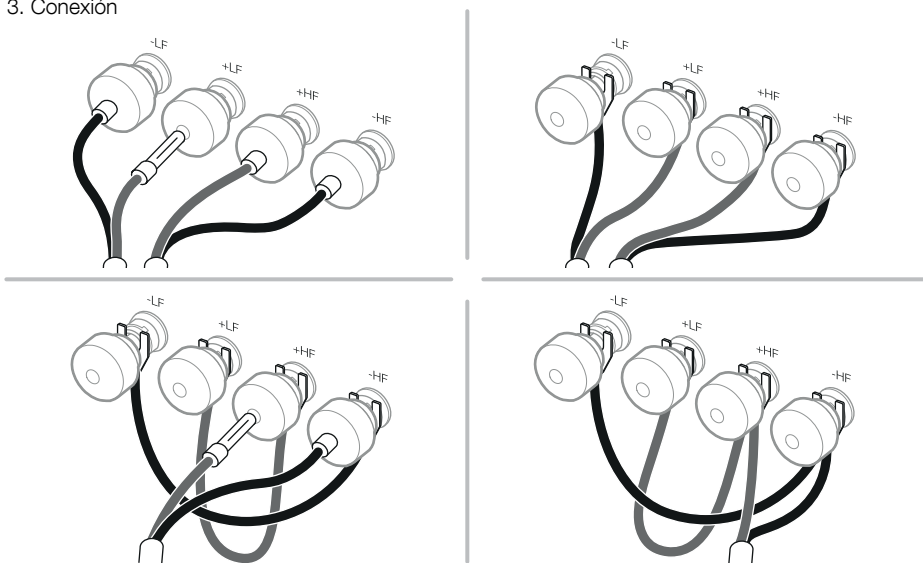
En el caso de que utilice un videoprooyector con una pantalla acústicamente transparente, coloque su caja acústica HTM81 D4 o HTM82 D4 detrás del centro de la pantalla. En caso contrario, colóquela directamente debajo o encima de la pantalla con ayuda de un soporte de suelo, un mueble dedicado o un estante montado en la pared asegurándose de que la caja acústica esté lo más cerca posible a la altura de sus oídos.

Si va a utilizar un soporte de pie, le recomendamos el FS-HTM D4. El FS-HTM D4 es un soporte para cajas acústicas centrales ajustable que permite inclinar entre 4 y 8 grados tanto la HTM81 D4 como la HTM82 D4. Este rango de ajuste le facilita que pueda "apuntar" la caja acústica hacia sus oídos cuando esté sentado. Es importante, tanto en términos de seguridad como de prestaciones, que se sigan escrupulosamente las instrucciones de montaje del citado soporte.

En el caso de que utilice un estante montado en la pared, le recomendamos que utilice los tapones de espuma suministrados de serie para optimizar el comportamiento del puerto bass-reflex (ver Sección 4: Ajuste Fino y Rodaje).

Nota: Si utiliza una estantería, asegúrese de que sea lo suficientemente resistente para soportar adecuadamente el peso de la caja acústica y coloque los 4 pies autoadhesivos de plástico en la base de esta última.

3. Conexión



Aviso de Seguridad Importante

Todas las conexiones deberían realizarse con el equipo de sonido apagado. Cuando se utiliza un equipo de audio en condiciones de funcionamiento normales, tocar terminales o cables de conexión a cajas acústicas no aislados puede provocar una sensación muy desagradable.

Los terminales de conexión de la HTM81 D4 y la HTM82 D4 aceptan una extensa variedad de terminaciones del cable: clavijas de tipo banana de 4 mm, cuchillas planas ("spades") de 6 y 8 mm o cables pelados de hasta 4 mm de diámetro.



Noticia Importante Relacionada con la Seguridad:

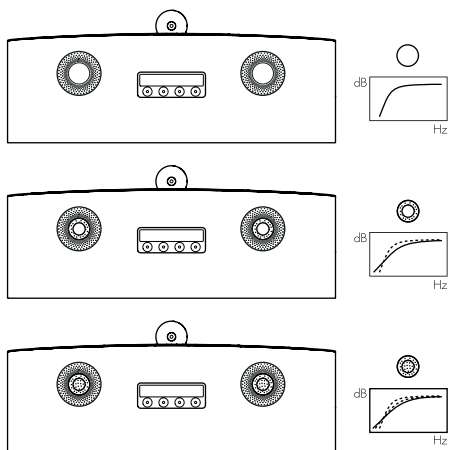
En ciertos países, sobre todo en Europa, las clavijas de tipo banana de 4 mm son consideradas como potencialmente peligrosas en términos de seguridad porque pueden ser insertadas por error en los orificios de tomas de corriente eléctrica no protegidas. Con el fin de satisfacer la normativa europea de seguridad CENELEC, los orificios de 4 mm situados en los extremos de los terminales están bloqueados por patillas de plástico. Si usted va a utilizar los productos en algún país en el que se aplique dicha normativa, asegúrese de que las clavijas de tipo banana no puedan ser empleadas de manera no segura por niños u otras personas no informadas. Si desea utilizar clavijas de tipo banana puede retirar las patillas de plástico.

Consulte a su distribuidor para que le aconseje a la hora de elegir el cable de conexión. Mantenga siempre la impedancia total por debajo del máximo recomendado en las características técnicas y utilice un cable de baja inductancia para evitar que se produzcan atenuaciones en las frecuencias más altas.

En la parte posterior de la caja acústica hay dos pares de terminales de conexión para facilitar el bicableado (arriba). Para realizar una conexión convencional en monocableado, coloque los puentes suministrados de serie de tal modo que los terminales positivos y los terminales negativos estén unidos entre sí (es decir, positivo a positivo y negativo a negativo).

Asegúrese de que los terminales positivos de la caja acústica (anillo de color rojo) son conectados al terminal de salida positivo del amplificador y que los terminales negativos de la caja acústica (anillo de color negro) son conectados al terminal de salida negativo del amplificador. Una conexión incorrecta podría tener como resultado una imagen sonora pobre y una pérdida de graves. Fije siempre firmemente los terminales los terminales de conexión para evitar que vibren.

4. Ajuste Fino y Rodaje



Antes de proceder al ajuste fino, verifique cuidadosamente que todas las conexiones de la instalación sean correctas y seguras.

Cada vez que aumente la separación entre las cajas acústicas y las paredes laterales y posterior de la sala se reducirá el nivel general de graves. El espacio situado detrás de las cajas también contribuye a crear una sensación aural de profundidad. Por el contrario, si acerca las cajas acústicas a las paredes el nivel de graves aumentará. Si desea reducir el nivel de graves sin separar más las cajas acústicas de la pared, coloque los tapones de espuma en los puertos bass-reflex. Si desea que la reducción de graves sea menos severa, coloque los anillos de espuma en los puertos bass-reflex (dibujo superior). Pruebe a evaluar el impacto de colocar el tapón/anillo de espuma en uno de los puertos antes de evaluar el impacto de colocar los tapones/anillos de espuma en ambos puertos.

Si la respuesta en graves se desestabiliza a menudo, lo más probable es que se deba a la excitación de modos de resonancia en la sala de escucha. Incluso pequeños cambios en la posición de las cajas acústicas o los oyentes pueden tener un profundo efecto en la manera en que dichas resonancias afectan al sonido. Intente colocar las cajas acústicas a lo largo de una pared diferente. El cambio de posición de muebles y objetos de gran tamaño presentes en la sala también puede modificar el sonido.

Si la imagen central carece de focalización, intente acercar las cajas acústicas entre sí o inclínelas de manera que apunten hacia los oyentes o estén encaradas hacia ellos.

Si el sonido es demasiado brillante (léase chillón), el aumento de la cantidad de materiales blandos (generalmente fonoabsorbentes) presentes en la sala (utilice, por ejemplo, cortinas más pesadas) puede ayudar a equilibrarlo. Por el contrario, si se reduce la presencia de los citados materiales se conseguirá incrementar el nivel de brillo de un sonido apagado y carente de vida.

Para los más puristas, un buen consejo consiste en quitar la rejilla protectora de los altavoces de medios y graves sujetándola por su contorno y retirándola cuidadosamente del recinto.

Las prestaciones de la caja acústica cambiarán de manera sutil durante el período de escucha inicial. Si la caja ha estado almacenada en un ambiente frío, tanto los materiales absorbentes y de amortiguamiento acústico como los que forman parte de los sistemas de suspensión de los diferentes altavoces tardarán cierto tiempo en recuperar sus propiedades mecánicas correctas. Las suspensiones de los altavoces también se relajarán durante las primeras horas de uso. El tiempo que la caja acústica necesite para alcanzar las prestaciones para las que fue diseñada variará en función de las condiciones de almacenamiento previas de la misma y de cómo se utilice. A modo de guía, deje transcurrir una semana para la estabilización térmica de la caja y unas 15 horas de uso en condiciones normales para que las partes mecánicas de la misma alcancen las características de funcionamiento para las que fueron diseñadas.

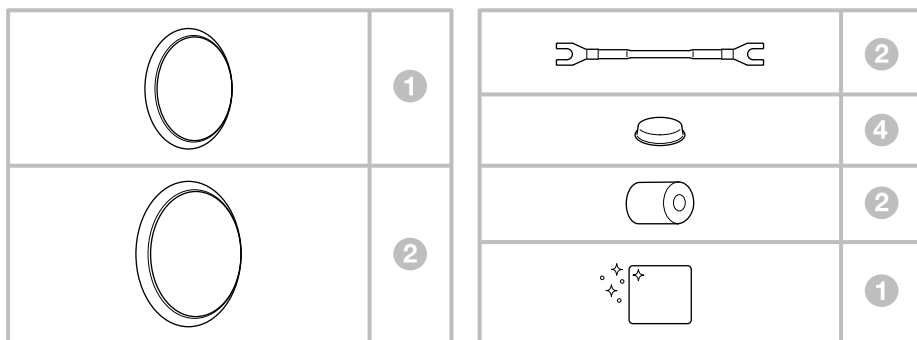
5. Cuidado y Mantenimiento

Por regla general, la superficie del recinto sólo requiere que se le quite el polvo, para lo que le recomendamos que utilice la gamuza suministrada de serie con las mismas. Si desea utilizar un limpiador de tipo aerosol o de otro tipo, aplíquelo en la gamuza de limpieza, nunca directamente sobre el producto. Pruebe primero con un área pequeña, ya que algunos productos de limpieza pueden dañar algunas de las superficies. Evite utilizar productos abrasivos o que contengan ácido, álcalis o agentes antibacterianos. No utilice productos de limpieza en los altavoces. Asimismo, evite tocar los transductores ya que podría dañarlos.

Sean cuales sean las cajas acústicas Bowers & Wilkins terminadas en madera auténtica que usted posea, tenga en cuenta que en todos los casos se han seleccionado las mejores chapas disponibles a la vez que las mismas han sido tratadas con lacas resistentes a la radiación ultravioleta con el fin de minimizar posibles cambios de color a lo largo del tiempo. Aún así, y como es norma en todos los materiales naturales, cada tipo de chapa responderá a su entorno, por lo que es de esperar que se produzcan ciertos cambios de color. Las diferencias de color pueden ser rectificadas exponiendo por igual y de manera uniforme todas las superficies de madera a la luz solar hasta que el color sea uniforme. Este proceso puede tardar varios días o incluso semanas en completarse, aunque puede ser acelerado mediante el empleo cuidadoso de una lámpara ultravioleta. Asimismo, las superficies chapadas en madera noble deberían mantenerse alejadas de fuentes directas de calor tales como radiadores y salidas de aire caliente con el fin de evitar posibles agrietamientos en las mismas.

La superficie de la estructura del tweeter tiene un acabado texturizado que puede acumular marcas superficiales cuando es manipulada. Dichas marcas deberían limpiarse aplicando la gamuza suministrada de serie alrededor de la citada estructura siguiendo la textura de la superficie.

1. Desempacotamento

**Conteúdos da caixa**

- 1 grelha de gama média
- 2 grelhas de graves
- 2 cabos para ligação a terminais
- 4 bases de plástico autocolantes
- 2 cilindros de espuma de duas peças
- 1 pano de limpeza

As colunas HTM81 D4 e HTM82 D4 são muito pesadas e, por isso, recomendamos que sejam desempacotadas por duas pessoas, na divisão onde irão ser utilizadas. Além disso, aconselhamos a remoção de joias para evitar riscar o acabamento da superfície das colunas.

A tabela acima ilustra os componentes que estão incluídos com as colunas HTM81 D4 e HTM82 D4. No caso pouco provável de faltar algum componente, contacte o vendedor responsável pela venda das colunas.

Todas as grelhas são fixadas de forma magnética. A grelha de graves/médio alcance, por ser mais pesada, é embalada num compartimento separado, para evitar movimentos durante o transporte.

Nota: Deve ter cuidado ao encaixar ou remover grelhas fixadas de forma magnética para evitar marcar o produto. Em caso de queda, as grelhas vão marcar a coluna/base da coluna; pode atenuar este efeito tapando a base ao encaixar ou remover as grelhas.

Os diafragmas do tweeter são muito delicados e sofrem danos com facilidade. Na Série 800 Diamond, incluímos uma grelha de aço que protege o tweeter de todo o tipo de danos. Ainda assim, deve manusear e limpar as colunas com cuidado.

Informação ambiental

Este produto está em conformidade com as diretivas internacionais, incluindo mas não se limitando a:

- i. Diretiva relativa à restrição do uso de determinadas substâncias perigosas (RoHS - **R**estriction of **H**azardous **S**ubstances) em equipamentos elétricos e eletrónicos;
- ii. Regulamento relativo ao registo, avaliação, autorização e restrição de substâncias químicas (REACH - **R**egistration, **E**valuation, **A**uthorisation and restriction of **C**hemicals);
- iii. Diretiva relativa aos **R**esíduos de **E**quipamentos **E**letrónicos e **E**létricos (REEE).

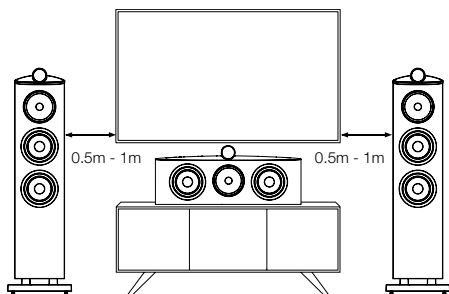
Consulte uma entidade local de recolha de lixo para obter informação sobre como reciclar ou eliminar este produto de forma correta.

O conjunto do tweeter nesta coluna Série 800 Diamond é um componente separado que está mecanicamente isolado da parte principal da caixa das colunas. Assim, pode aparentar estar solto quando o produto for retirado da embalagem pela primeira vez. Isto não é um defeito, é uma característica inerente ao design e garante o desempenho ideal da sua coluna.

Se o conjunto do tweeter se tiver deslocado ligeiramente durante o transporte e tiver de ser ajustado, pode ser deslocado muito ligeiramente para a frente e para trás para garantir que a parte traseira do corpo do tweeter fica alinhada com a parte traseira da caixa da coluna. O conjunto do tweeter também pode ser rodado muito ligeiramente para garantir que o logótipo Bowers & Wilkins fica orientado na vertical. Ao fazer estes ajustes, não force o tweeter para nenhuma posição para além dos batentes macios.

Nota: Ao fazer estes ajustes, deve ter-se cuidado para não danificar o conjunto de desacoplamento. Procure ajuda junto do seu revendedor se tiver dúvidas em relação ao ajuste do conjunto do tweeter.

2. Posicionamento



Instalação das colunas

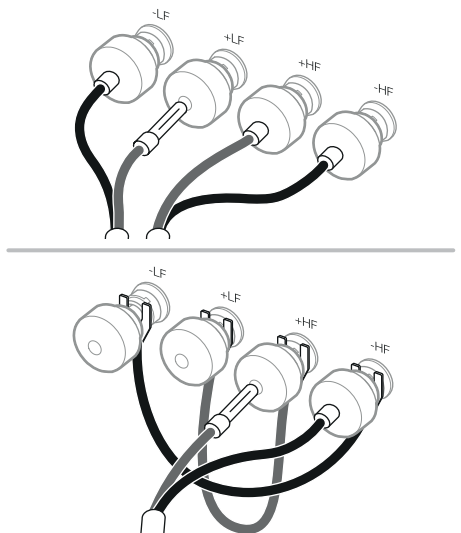
Se utilizar um televisor de projeção com um ecrã acusticamente transparente, coloque a coluna HTM81 D4 ou HTM82 D4 atrás do centro do ecrã. Caso contrário, posicione-a diretamente abaixo ou acima do ecrã utilizando um suporte, móvel ou prateleira de parede, certificando-se de que a coluna fica o mais perto possível da altura dos ouvidos.

Se for utilizado um suporte, recomendamos o FS-HTM D4. O FS-HTM D4 é um suporte para coluna de centro ajustável que permite inclinar a HTM81 D4 ou a HTM82 D4 em 4° ou 8°. Este intervalo de ajuste facilita a orientação da coluna para o nível dos ouvidos quando está sentado. Tanto em termos de segurança como de desempenho, é importante que as instruções de montagem do suporte sejam respeitadas.

Se for utilizada uma prateleira ou um móvel, recomendamos a utilização dos cilindros de espuma (fornecidos) para otimizar o desempenho das portas (consultar a secção 4: Ajustes e utilização inicial).

Nota: Se utilizar uma prateleira, certifique-se de que esta é suficientemente resistente para suportar o peso e aplique as 4 bases de plástico autocolantes na parte inferior da coluna.

3. Ligações



Aviso de segurança importante

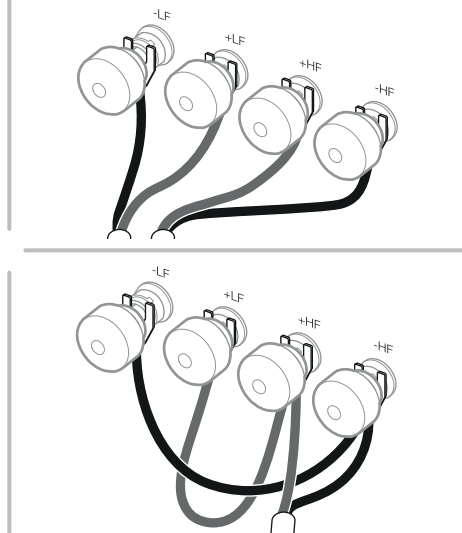
Todas as ligações devem ser feitas com o equipamento áudio desligado. Quando o equipamento áudio está em utilização normal, tocar nos terminais ou cablagem da coluna sem isolamento pode causar uma sensação desagradável.

Os terminais das colunas HTM81 D4 e HTM82 D4 são compatíveis com várias terminações de cabos: fichas banana de 4 mm, forquilhas de 6 mm e 8 mm (1/4 pol. e 5/16 pol.) ou cabos nus com um máximo de 4 mm (5/32 pol.) de diâmetro.

Aviso de segurança importante

Em alguns países, especialmente europeus, a utilização de fichas banana de 4 mm é considerada um risco potencial de segurança, uma vez que podem ser introduzidas em tomadas de parede desprotegidas. De forma a cumprir as normas de segurança europeias CENELEC, os orifícios de 4 mm nas extremidades dos terminais estão bloqueados por pinos de plástico. Se estiver a utilizar os produtos num país onde estas condições se apliquem, deve garantir que as fichas banana não são utilizadas de forma pouco segura por crianças ou outras pessoas desinformadas. Os pinos de plástico podem ser removidos se quiser usar fichas banana.

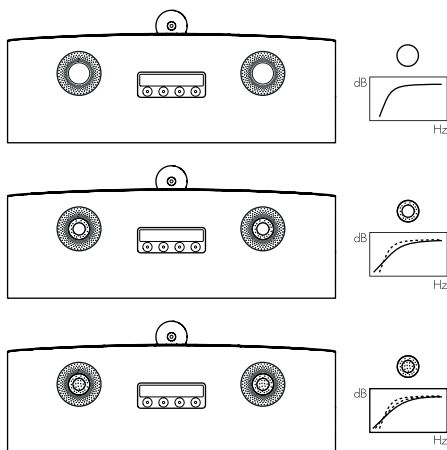
Peça aconselhamento ao seu fornecedor sobre a escolha de cabos para as colunas. Mantenha a impedância total abaixo do valor máximo recomendado nas especificações das colunas e utilize um cabo de indutância baixa para evitar a atenuação de frequências altas.



Existem dois pares de terminais na parte de trás de cada coluna que possibilitam uma cablagem dupla (topo). Para uma ligação simples, encaixe os cabos de ligação fornecidos de forma a ligar os terminais com a mesma polaridade.

Certifique-se de que os terminais positivos da coluna (com um anel vermelho) estão ligados ao terminal de saída positivo do amplificador e que os terminais negativos da coluna (com um anel preto) estão ligados ao terminal de saída negativo do amplificador. Uma ligação incorreta não provoca danos, mas pode resultar numa imagem estéreo fraca e na perda de sons graves. Aperte sempre as capas dos terminais ao máximo para evitar ruídos.

4. Ajustes e utilização inicial



Antes de proceder aos ajustes, certifique-se de que todas as ligações na instalação estão corretas e são seguras.

Geralmente, o maior afastamento das colunas em relação às paredes reduz o volume dos sons graves. A existência de espaço atrás das colunas também ajuda a criar uma sensação de profundidade do som. Em contrapartida, a maior aproximação das colunas em relação às paredes aumenta o volume dos sons graves. Se pretender reduzir o volume dos sons graves sem ter de afastar as colunas da parede, aplique os cilindros de espuma ou, para uma redução mais atenuada dos graves, os anéis de espuma nos tubos das portas (ver acima). Tente avaliar o impacto de encaixar o cilindro/anel de espuma num dos orifícios antes de avaliar o impacto de encaixar os cilindros/anéis de espuma em ambos os orifícios.

Se os sons graves parecerem estar desajustados em relação à frequência, é muito provável que tal se deva aos meios de ressonância da divisão de audição. Uma simples alteração na posição das colunas ou no local de audição pode ter um efeito significativo na forma como estas ressonâncias afetam o som. Experimente alterar o local de audição ou colocar as colunas ao longo de uma parede diferente. A existência e o posicionamento de mobiliário de grandes dimensões também pode influenciar os meios de ressonância.

Se a imagem central não estiver focada, experimente aproximar as colunas ou voltá-las para dentro, de modo a que fiquem voltadas para um local imediatamente em frente do local de audição.

Se o som for demasiado agudo, o aumento da quantidade de mobiliário com revestimento macio na divisão (por exemplo, cortinas mais pesadas) poderá ajudar a equilibrar o som. Em contrapartida, reduzir a quantidade de mobiliário com revestimento macio poderá ajudar a tornar mais agudo um som demasiado grave.

Para uma audição mais clara, remova as grelhas de graves/médio alcance segurando-as pelas extremidades e puxando-as delicadamente para fora da caixa.

O desempenho das colunas terá variações subtis durante a primeira fase de audição. Se a coluna tiver sido armazenada num ambiente frio, os materiais de amortecimento e de suspensão dos diafragmas levarão algum tempo até recuperarem as suas propriedades mecânicas corretas. As suspensões dos diafragmas também ganharão mais flexibilidade após as primeiras horas de utilização. O tempo requerido para que as colunas atinjam o desempenho pretendido varia consoante as condições de armazenamento prévio e a forma de utilização das mesmas. Por norma, deverá esperar até uma semana para que os efeitos da temperatura estabilizem e cerca de 15 horas de utilização para que as peças mecânicas funcionem de acordo com as características previstas.

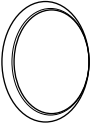
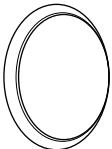
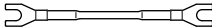



5. Manutenção

Geralmente, basta limpar o pó das superfícies da caixa das colunas. Recomendamos a utilização do pano fornecido com o produto. Se utilizar um spray ou outro produto de limpeza, aplique-o no pano e não diretamente no equipamento e teste primeiro numa área mais reduzida, já que alguns produtos de limpeza podem danificar algumas superfícies. Evite utilizar produtos abrasivos ou que contenham agentes ácidos, alcalinos ou antibacterianos. Não utilize produtos de limpeza nos diafragmas. Evite tocar nos diafragmas, para evitar danos.

Em colunas Bowers & Wilkins com acabamento em madeira, as melhores folhas são selecionadas e tratadas com um verniz resistente aos raios ultravioleta para minimizar a possibilidade de alterações de coloração com o passar do tempo. No entanto, tal como acontece com todos os materiais naturais, a folha reage ao ambiente e é normal que haja alguma descoloração. Para corrigir diferenças na coloração, exponha todas as superfícies à luz solar de igual forma e durante um período de tempo semelhante até que a cor fique uniforme. Este processo pode demorar vários dias ou até semanas, mas é possível acelerá-lo se utilizar, com prudência, uma lâmpada ultravioleta. As superfícies de folha de madeira também devem manter-se afastadas de fontes diretas de calor, tais como aquecedores ou ar condicionado, para evitar que estalem.

O alojamento do tweeter tem um acabamento de superfície texturado que pode ficar com marcas superficiais ao ser manuseado, devendo ser limpo passando o pano de limpeza fornecido pelo alojamento, alinhado com a textura da superfície.

1. Rimozione dall'imballo

	1
	2
	2
	4
	2
	1

Contenuto delle confezioni

- 1 griglia per midrange
- 2 griglie di protezione woofer
- 2 cavi di collegamento con capicorda
- 4 piedini autoadesivi
- 2 doppi inserti cilindrici in spugna
- 1 panno di pulizia

I diffusori HTM81 D4 e HTM82 D4 sono molto pesanti: suggeriamo vivamente di essere in almeno due persone a compiere il lavoro e di farlo direttamente nel locale dove verranno impiegati. Inoltre prima di iniziare è buona precauzione levarsi orologi da polso, braccialetti, anelli, etc. per evitare di graffiare le superfici dei mobili.

La tabella in alto illustra gli accessori presenti negli imballi dei diffusori HTM81 D4 e HTM82 D4. Nel caso mancasse qualche elemento, contattare il rivenditore dove avete effettuato l'acquisto.

Le griglie più pesanti che coprono woofer e midrange sono fissate tramite magneti e sono imballate a parte per prevenire danni durante il trasporto.

Nota: Prestare particolare attenzione durante il montaggio o la rimozione delle griglie magnetiche per evitare di graffiare il prodotto. Le griglie graffieranno la base dell'altoparlante/stand se vengono fatte cadere; è possibile prevenire possibili danni coprendo la base durante il montaggio o la rimozione delle griglie.

Le membrane dei tweeter sono molto delicate ed è facile danneggiarle. Nei modelli della Serie 800 Diamond viene posta davanti al tweeter una piccola griglia in acciaio per proteggerlo da danni accidentali. Ciò non ostante è necessario prestare molta attenzione nel maneggiare i diffusori o durante le operazioni di pulizia.

Informazioni per l'ambiente

Questo prodotto è realizzato in conformità (e non limitatamente) alle seguenti normative internazionali:

- I. la limitazione delle sostanze pericolose (RoHS) negli apparecchi elettrici ed elettronici,
- II. la registrazione, valutazione, autorizzazione e restrizione delle sostanze chimiche (REACH),
- III lo smaltimento delle apparecchiature elettriche ed elettroniche (WEEE).

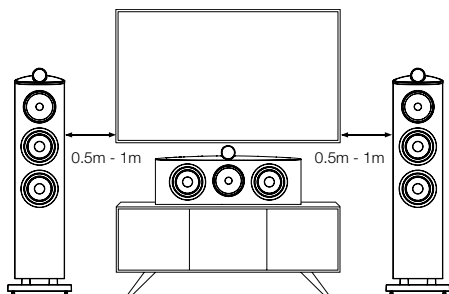
Fare riferimento alle indicazioni dell'autorità del vostro Paese per il corretto riciclo o smaltimento del prodotto.

L'alloggiamento del tweeter su questo diffusore della Serie 800 Diamond è disaccoppiato, vale a dire meccanicamente isolato, dal mobile principale e come tale può apparire non correttamente fissato rimuovendo il diffusore dall'imballo. Questo non è un difetto. Al contrario, è una precisa caratteristica di progetto volta ad assicurare le migliori prestazioni del diffusore.

Per regolare il tweeter in caso di leggeri spostamenti durante il trasporto, muoverlo con molta delicatezza avanti e indietro in modo che la parte posteriore del corpo si allinei con la parte posteriore del cabinet del diffusore. È anche possibile ruotare il tweeter leggermente per far sì che il logo Bowers & Wilkins sia orientato in senso verticale. Durante queste regolazioni non forzare assolutamente il tweeter oltre i fermi morbidi.

Nota: Durante queste regolazioni fare attenzione a non danneggiare il sistema di disaccoppiamento. In caso di dubbi su come regolare il tweeter rivolgersi al rivenditore.

2. Posizionamento dei diffusori



Installazione del diffusore

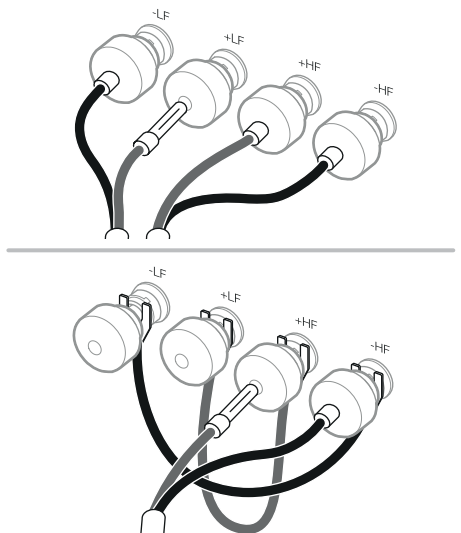
Se per la visione viene utilizzato un proiettore ed uno schermo acusticamente trasparente, sistemare il diffusore dietro di esso al centro. Altrimenti collocarlo direttamente sopra o sotto lo schermo, nella posizione più vicina al livello delle orecchie, utilizzando un supporto da pavimento oppure posizionandolo sopra un mobile o una mensola.

Se si desidera impiegare un supporto da pavimento, si consiglia di utilizzare il modello FS-HTM D4 dedicato a questi diffusori. L'FS-HTM D4 è un supporto per diffusori centrali regolabile che permette di inclinare sia l'HTM81 D4 che l'HTM82 D4 di 4 o 8 gradi. Ciò consente di orientarli facilmente per portare l'emissione degli altoparlanti a livello delle orecchie degli ascoltatori seduti. È importante tanto per la sicurezza, quanto per le prestazioni seguire con attenzione le istruzioni di montaggio che accompagnano il supporto.

Nel caso si preferisca installare il diffusore su un mobile o una mensola, si raccomanda di utilizzare gli inserti in spugna forniti per ottimizzare la risposta alla basse frequenze. A tal proposito si veda la sezione 4. *Regolazione fine e rodaggio* più avanti.

Nota: Se si sceglie di posizionarlo sopra una mensola, assicurarsi che sia sufficientemente robusta per sopportarne il peso ed applicare 4 piedini autoadesivi sotto al diffusore.

3. Collegamenti



Importante avvertenza di sicurezza

Tutti i collegamenti devono essere eseguiti con l'apparecchiatura audio spenta. Quando si utilizzano apparecchiature audio durante il normale funzionamento, toccare i terminali dei diffusori non isolati o il cablaggio può causare una sensazione spiacevole.

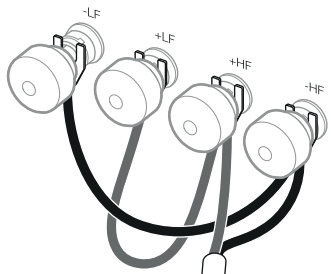
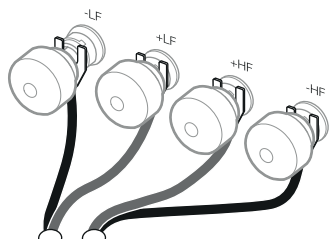
I morsetti dei diffusori HTM81 D4 e HTM82 D4 accettano cavi con svariate terminazioni: spinotti a banana da 4 mm, forcelle da 6 mm e 8 mm oppure cavi spellati fino a 4 mm di diametro.



Importante avvertenza di sicurezza

In alcuni Paesi, in particolare in Europa, l'uso di spinotti a banana da 4 mm viene considerato potenzialmente pericoloso, perché potrebbero essere inseriti nei fori di prese elettriche non protette. Per soddisfare le normative di sicurezza europee CENELEC, i fori da 4 mm sui morsetti sono ostruiti da elementi in plastica. Se si utilizzano i diffusori in un Paese dove è in vigore tale normativa, assicurarsi che nessun spinotto a banana venga utilizzato in modo improprio da bambini o persone non informate del potenziale pericolo. Volendo utilizzare dei connettori a banana, è possibile togliere i connettori in plastica.

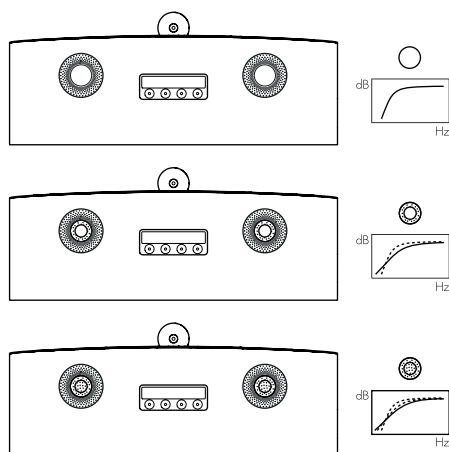
Chiedete consiglio al vostro rivenditore per scegliere un cavo per altoparlanti adatto. Mantenete la sua impedenza totale sotto al valore massimo indicato nelle specifiche tecniche del diffusore ed utilizzate un cavo a bassa induttanza per evitare attenuazioni alle alte frequenze.



Sul retro del diffusore sono presenti due coppie di morsetti che consentono il collegamento in bi-wiring (figure in alto). Per le connessioni tramite un unico cavo, vengono forniti dei cavetti con terminazioni a banana da un lato e a forcella dall'altro per unire tra loro con un ponticello i morsetti della stessa polarità.

Assicurarsi che i terminali positivi del diffusore (con fascia di colore rosso) siano collegati ai corrispondenti terminali positivi dell'amplificatore e così i terminali negativi del diffusore (con fascia di colore nero) a quelli negativi dell'amplificatore. Un collegamento errato non crea danni, ma darà origine ad una scadente immagine stereo e ad un'insufficiente gamma bassa. Avvitare sempre fino in fondo i cappucci dei morsetti per prevenire fastidiosi rumori durante il funzionamento del diffusore.

4. Regolazione fine e rodaggio



Prima procedere con la regolazione fine, assicurarsi che tutti i collegamenti dell'impianto siano corretti e stabili.

Allontanando i diffusori dalle pareti generalmente si riduce il livello dei bassi. Un maggior spazio dietro ad essi incrementa poi la sensazione di profondità della scena acustica. Al contrario avvicinando i diffusori alle pareti la gamma bassa viene rinforzata. Se si desidera ridurre i bassi senza allontanare ulteriormente il diffusore dalla parete, inserire nei condotti d'accordo sul retro gli inserti in spugna completi o, per un effetto meno marcato, i soli anelli esterni (vedi figura in alto). Provare a valutare l'impatto del montaggio di un inserto di spugna/anello in uno dei condotti prima di valutare l'impatto del montaggio degli inserti di spugna/anelli in entrambi i condotti.

Se il basso appare irregolare, ciò è generalmente dovuto all'eccitazione dei modi di risonanza dell'ambiente. Anche piccoli cambiamenti nella posizione dei diffusori o del punto d'ascolto possono avere grande influenza su come queste risonanze alterano il suono. Provare ad esempio a cambiare posizione d'ascolto collocando i diffusori a ridosso di una parete diversa. Anche la presenza e la posizione di grandi mobili può influire significativamente sui modi di risonanza del locale.

Se l'immagine sonora non risulta correttamente focalizzata al centro, provare a posizionare i diffusori più vicini tra loro oppure ad angolare il loro frontale in modo che puntino verso una zona leggermente più avanti rispetto alla posizione d'ascolto.

Se il suono fosse troppo aspro, un aumento della quantità di tessuti nel locale (ad esempio utilizzando tendaggi più pesanti) può essere d'aiuto per compensare lo squilibrio. Al contrario, riducendoli, si può contribuire a ravvivare un suono altrimenti spento ed opaco.

Per un ascolto nelle migliori condizioni, rimuovere le griglie a protezione di midrange e woofer afferrandole ai bordi e tirandole delicatamente verso di voi.

Le prestazioni dei diffusori possono variare leggermente durante il periodo iniziale di ascolto. Se sono stati conservati in un ambiente freddo, i materiali smorzanti e le sospensioni degli altoparlanti necessiteranno di un certo intervallo di tempo per recuperare le loro proprietà meccaniche. Anche le sospensioni esterne tenderanno ad allentarsi durante le prime ore di utilizzo. Il tempo necessario al diffusore per arrivare alle prestazioni ottimali varia in base alle condizioni del precedente immagazzinaggio e da come viene utilizzato. Indicativamente può trascorrere fino ad una settimana perché gli effetti della temperatura si stabilizzino e 15 ore di utilizzo medio affinché le parti meccaniche raggiungano le caratteristiche ottimali definite in fase di progetto.

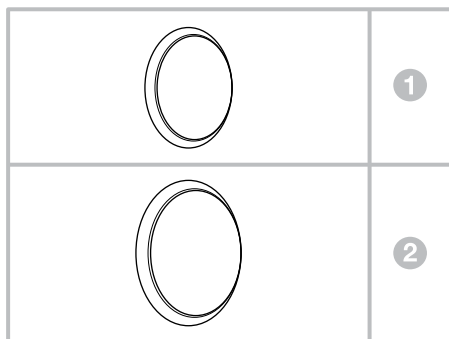
5. Manutenzione

I mobili dei diffusori normalmente necessitano solo di essere spolverati. Raccomandiamo l'utilizzo del panno fornito in dotazione. Se si preferisce utilizzare un prodotto spray per la pulizia, applicarlo sul panno, non direttamente sul mobile. Consigliamo altresì di provare prima a pulire una piccola area non in vista, dal momento che alcuni detergenti troppo aggressivi potrebbero danneggiare la finitura del diffusore. Non impiegare prodotti abrasivi o contenenti acidi, alcali oppure agenti anti-batterici. Non utilizzare alcun prodotto per la pulizia sugli altoparlanti ed evitare anche di toccarli, poiché potrebbero venir danneggiati.

I diffusori Bowers & Wilkins con finitura in legno naturale, scelto tra i più pregiati e selezionato con cura, sono trattati con una lacca resistente ai raggi ultra-violetti per minimizzare le variazioni di colore nel tempo. Tuttavia, come tutti i materiali naturali, il legno subisce l'influenza degli agenti esterni, in particolare della luce solare, e può cambiare leggermente colore. Eventuali differenze possono essere compensate esponendo le superfici in ombra alla luce del sole fino a che il colore non risulti uniforme. Questo processo può richiedere diversi giorni e perfino settimane, ma può essere velocizzato utilizzando con cautela una lampada a raggi ultra-violetti. Le superfici in legno andrebbero anche tenute lontane da fonti dirette di calore, come, ad esempio, termosifoni o termoconvettori ad aria per evitare l'insorgenza di piccole crepe nella venatura del legno.

L'alloggiamento del tweeter è caratterizzato da una finitura testurizzata sulla quale, potrebbero restare dei segni superficiali che possono essere eliminati passando il panno di pulizia in dotazione attorno all'alloggiamento, in corrispondenza della zona testurizzata.

1. Uitpakken

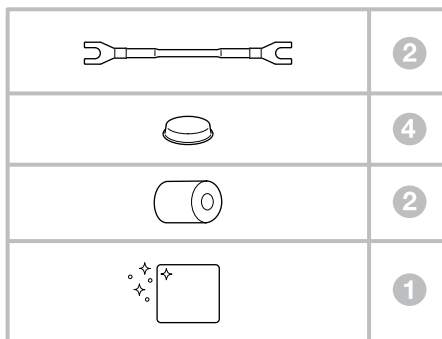


Inhoud doos

- 1 Midrange-grill
- 2 Bass-grills
- 2 aansluitdraden
- 4 zelfklevende kunststof kussentjes
- 2 tweedelige dopjes van schuim
- 1 schoonmaakdoekje

De HTM81 D4 en HTM82 D4 zijn bijzonder zwaar en we raden u daarom dringend aan ze uit te pakken in de kamer waar ze zullen worden opgesteld en dit met twee personen uit te voeren. Het is verder verstandig armbanden en dergelijke af te doen om beschadiging van de luidsprekers te voorkomen.

In de bovenstaande tabel ziet u de onderdelen die bijgesloten zijn in de verpakking van de HTM81 D4 en HTM82 D4. Mocht er onverhoopt iets ontbreken, neem dan contact op met de winkel waar u de luidsprekers hebt gekocht.



Alle grills zijn magnetisch bevestigd. De zware grill voor de woofer en de middentoner is afzonderlijk verpakt om losraken tijdens transport te voorkomen.

Opmerking: Wees voorzichtig bij het bevestigen of verwijderen van de magnetisch bevestigde grills om krassen op het product te voorkomen. De grills bekrassen de luidspreker en/of de sokkel als ze vallen; u kunt dit voorkomen door de sokkel te bedekken wanneer u de grills aanbrengt of verwijdert.

De domes van de tweeters zijn uiterst kwetsbaar en worden gemakkelijk beschadigd. We hebben de 800 Serie Diamond voorzien van een stalen grille waarmee de tweeter wordt beschermd tegen allerlei soorten schade. U moet echter wel voorzichtig te werk gaan wanneer u de luidsprekers verplaatst en reinigt.

Informatie over het Milieu

Dit product voldoet aan de internationale richtlijnen waaronder, maar daartoe niet beperkt:

- i. de **R**estriction of **H**azardous **S**ubstances (RoHS) voor elektrische en elektronische apparatuur;
- ii. de **R**egistration, **E**valuation, **A**uthorisation and restriction of **C**hemicals (REACH);
- iii. de afvoer van **W**aste **E**lectrical and **E**lectronic **E**quipment (WEEE).

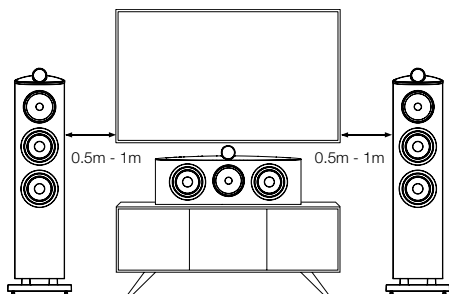
Raadpleeg de plaatselijke milieudienst voor informatie over het verantwoord afvoeren van overtollige of afgedankte apparatuur.

De tweeter op deze 800 Series Diamond luidspreker is een ontkoppelde component die mechanisch gescheiden is van het hoofdgedeelte van de kast. Als het product voor het eerst uit de verpakking wordt verwijderd, kan het daarom lijken alsof de tweeter los is geraakt, maar dit is niet het geval. De ont koppeling is inherent aan het ontwerp en zorgt ervoor dat de luidspreker optimaal presteert.

Als de tweeterconstructie tijdens transport enigszins is verschoven en moet worden afgesteld, kan de constructie enigszins naar voren en achteren worden bewogen om ervoor te zorgen dat de achterkant van de tweeterbehuizing zich op één lijn bevindt met de achterkant van de luidsprekerbehuizing. De tweeterconstructie kan ook enigszins worden gedraaid om ervoor te zorgen dat het logo van Bowers & Wilkins verticaal wordt weergegeven. Forceer de tweeter niet voorbij de softstops bij het aanbrengen van deze aanpassingen.

Opmerking: Zorg ervoor dat u de ont koppelingsconstructie niet beschadigt bij het aanbrengen van deze aanpassingen. Vraag uw dealer om hulp als u twijfelt over het afstellen van de tweeterconstructie.

2. Opstelling



De luidspreker installeren

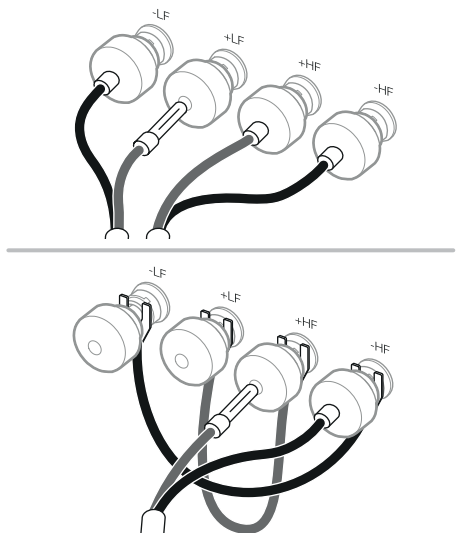
Als u een projectietelevisie met een akoestisch transparant scherm hebt, plaats uw luidspreker (HTM81 D4 of HTM82 D4) dan midden achter het scherm. Plaats hem anders met behulp van een vloerstandaard, meubelstuk of wandplank recht onder of boven het scherm, zo veel mogelijk op oorhoogte.

Als vloerstandaard adviseren wij de FS-HTM D4. De FS-HTM D4 is een verstelbare standaard voor middenluidsprekers waarmee u de HTM81 D4 of HTM82 D4 4° of 8° kunt kantelen. U kunt de luidspreker dan gemakkelijker zo 'richten' dat hij op oorhoogte is afgesteld als u zit. Voor de veiligheid en voor optimale prestaties is het belangrijk dat u de montageaanwijzingen voor de vloerstandaard opvolgt.

Als u de luidspreker toch op een plank of meubelstuk plaatst, adviseren wij u gebruik te maken van de insteekdopjes van schuim (meegeleverd) om de geluidsweergave via de poort te optimaliseren (zie hoofdstuk 4: Afstemmen en ingebruikname).

Opmerking: Gebruikt u een plank, zorg er dan voor dat die groot en sterk genoeg is voor het gewicht van de luidspreker en plaats de vier zelfklevende plastic pootjes aan de onderkant van de luidspreker.

3. Aansluiten



Belangrijke veiligheidsmededeling

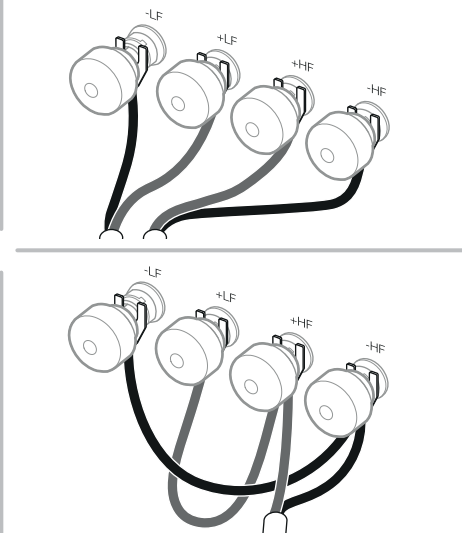
Alle verbindingen moeten worden gemaakt met de audioapparatuur uitgeschakeld. Bij normaal gebruik van audioapparatuur kan het aanraken van niet-geïsoleerde luidsprekeraansluitingen of bedrading een onaangenaam gevoel veroorzaken.

De luidsprekeraansluitingen van de HTM81 D4 en de HTM82 D4 accepteren verschillende soorten kabels en pluggen: 4 mm banaanstekkers, 6 mm en 8 mm (1/4" en 15/16") spades, of blanke draadeinden van max. 4 mm (5/32").

Belangrijk voor uw veiligheid

In bepaalde landen, vooral Europa, wordt het gebruik van 4 mm banaanstekkers beschouwd als potentieel gevaarlijk omdat deze ook in onbeschermde stopcontacten kunnen worden gestoken. Om te voldoen aan de Europese CENELEC veiligheidsregels zijn de openingen op de aansluitingen geblokkeerd met plastic pennen. Wanneer u het product gebruikt in een land waar deze regels gelden, dient u zich ervan te overtuigen dat banaanstekkers niet op onveilige manier kunnen worden gebruikt door kinderen en andere niet geïnformeerde personen. De plastic pennen kunnen worden verwijderd als u bananestekkers wilt gebruiken.

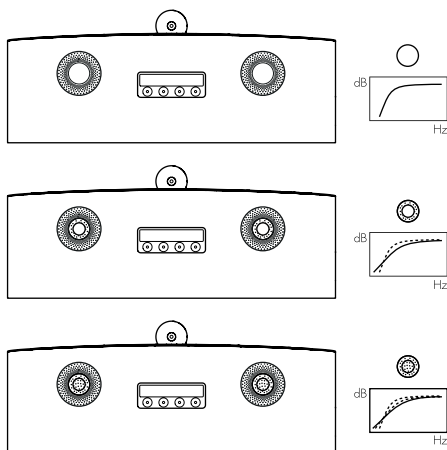
Vraag uw leverancier om informatie over kabels. Houd de totale impedantie beneden het maximum als aanbevolen in de technische gegevens en gebruik kabel met een lage inductie om verzwakking van hoge frequenties te voorkomen.



Er bevinden zich op de achterzijde van elke luidspreker twee paar aansluitingen om bi-wiring (bovenste) mogelijk te maken. Voor conventionele verbinding met een enkele kabel brengt u de bijgevoegde doorverbindingen aan tussen de aansluitingen van dezelfde polariteit.

Zorg ervoor dat de positieve aansluitingen van de luidspreker (rode ring) worden verbonden met de positieve uitgang van de versterker en de negatieve aansluitingen van de luidspreker (zwarte ring) worden verbonden met de negatieve uitgang van de versterker. Foutieve verbinding is niet schadelijk maar vertroebelt het stereobeeld en geeft verlies aan laag. Draai altijd de kapjes van de aansluitingen geheel vast om rammelen te voorkomen.

4. Afstemmen en ingebruikname



Controleer voordat u aan het fijnafstemmen begint, of alle verbindingen correct en stevig zijn geïnstalleerd.

Door de luidsprekers verder van de wand te plaatsen zal in het algemeen het laag afnemen. De ruimte achter de luidsprekers verhoogt ook de ruimtelijke indruk op het gehoor. Omgekeerd, door de luidsprekers dicht bij de wand op te stellen, neemt het laag juist toe. Wanneer u het laag wilt reduceren zonder de luidsprekers verder van de wand te plaatsen, drukt u de schuimrubber doppen in de poorten als aangegeven in afbeelding hierboven. Probeer eerst de impact te beoordelen wanneer de schuimrubber dop / ring in een van de poorten is aangebracht, en pas dan de impact wanneer beide schuimrubber doppen / ringen in beide poorten zijn aangebracht.

Wanneer het laag niet op alle frequenties evenwichtig is, ligt dat meestal aan resonanties ergens in de luisterruimte. Zelfs kleine wijzigingen in de luidsprekeropstelling of de luisterpositie kunnen een behoorlijke invloed hebben op het effect van deze resonanties op de klank. Probeer de luisterpositie te wijzigen en de luidsprekers bijvoorbeeld voor een andere wand te zetten. Ook de aanwezigheid en positie van grote meubels hebben invloed op deze resonanties.

Wanneer het centrale geluidsbeeld vaag is, probeer dan de luidsprekers dicht bij elkaar te zetten en ze te richten op een punt juist vóór de luisterpositie.

Is het geluid te helder, dan kan het aanbrengen van zachtere stoffering in de kamer (zwaardere gordijnen bijvoorbeeld) een betere balans bewerkstelligen. Omgekeerd kan het reduceren van zachte stoffering een donkere klank helderder maken.

De meest kritische luisteraars raden we aan de grills van de woofer/middentoner te verwijderen door ze bij de rand vast te pakken en de voorzichtig van de kast te trekken.

De eigenschappen van de luidspreker zullen gedurende de eerste luisterperiode op subtiele wijze iets veranderen. Wanneer de luidspreker in een koude omgeving opgeslagen is geweest, zijn de dempende materialen en de ophanging wat stug en het duurt enige tijd voordat zij de juiste mechanische eigenschappen terug hebben. Ook zal de ophanging in de eerste uren van het gebruik nog wat soepeler worden. De tijd die de luidspreker nodig heeft om de beoogde eigenschappen te bereiken, wordt bepaald door de wijze waarop hij voorheen is opgeslagen en de manier waarop hij wordt gebruikt. Houd als richtlijn een week aan om een stabiele temperatuur te bereiken en ca. 15 uur gebruik om de mechanische onderdelen de beoogde eigenschappen te laten verkrijgen.

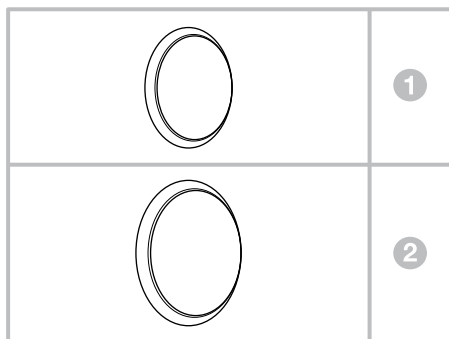
5. Onderhoud

De kast hoeft over het algemeen alleen maar te worden afgestoft. We raden u aan de bijgevoegde stofdoek te gebruiken. Wilt u een schoonmaakspray of een ander middel gebruiken, verwijder dan eerst de grill door deze voorzichtig van de kast te trekken. Spuit op een zachte doek en nooit direct op de kast. Probeer eerst op een onzichtbare plek, daar sommige reinigingsmiddelen het oppervlak kunnen beschadigen. Vermijd schuurmiddelen of middelen die gif bevatten, alkali en antibacterie stoffen. Gebruik nooit schoonmaakmiddelen op de eenheden. Vermijd aanraking van de eenheden, vooral de tweeter, die zeer gemakkelijk beschadigd kan raken.

Voor Bowers & Wilkins speakers die zijn afgewerkt met echt hout worden de beste fineersoorten uitgezocht en voorzien van een tegen ultraviolet licht bestendige laklaag om verkleuring in de loop der tijd te voorkomen. Niettemin zal deze fineer net als alle natuurlijke materialen, op de omgeving reageren en enige verkleuring is normaal. Kleurverschillen kunnen worden voorkomen door alle delen in gelijke mate aan zonlicht bloot te stellen tot de kleur weer egaal is. Dat proces kan enige weken of zelfs maanden in beslag nemen en kan worden versneld met een ultraviolette lamp. Houd gefineerde delen uit de buurt van warmtebronnen zoals radiatoren en warme lucht bronnen om het barsten van houtfineer te voorkomen.

De behuizing van de tweeter heeft een structuuroppervlak dat bij hantering oppervlakkige vlekken kan aannemen. Het oppervlak moet in zo'n geval worden gereinigd met het meegeleverde reinigingsdoek, waarmee de behuizing kan worden afgeveegd, met de oppervlakestructuur mee.

1. Αποσυσκευασία

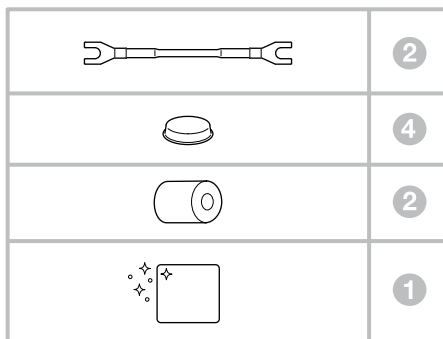


Περιεχόμενα του κουτιού

1 γρίλια μεσαίας εμβέλειας
2 γρίλιες μπάσων
2 καλώδια σύνδεσης ακροδεκτών
4 αυτοκόλλητα πλαστικά πόδια
2 παρεμβύσματα δύο τμημάτων από αφρώδες υλικό
1 πανί καθαρισμού

Τα HTM81 D4 και HTM82 D4 είναι πολύ βαριά και συνιστούμε ιδιαίτερα να αποσυσκευαστούν στο δωμάτιο στο οποίο θα χρησιμοποιηθούν, από δύο άτομα που συνεργάζονται μεταξύ τους. Μια λογική προφύλαξη είναι επίσης να αφαιρέσετε τυχόν κοσμήματα για να αποφευχθεί ο κίνδυνος να γρατσουνιστεί το φινιρίσμα της επιφάνειας των ηχείων.

Ο παραπάνω πίνακας απεικονίζει τα εξαρτήματα που περιλαμβάνονται στη συσκευασία των HTM81 D4 και HTM82 D4. Στην αντίθετη περίπτωση που λείπει κάτι, επικοινωνήστε με τον πωλητή από τον οποίο αγοράσατε τα ηχεία.



Όλες οι γρίλιες προσαρτώνται μαγνητικά. Η βαρύτερη γρίλια μπάσων/μεσαίας εμβέλειας είναι συσκευασμένη σε ένα ξεχωριστό χώρο, για να αποτραπεί η κίνησή της κατά τη μεταφορά.

Σημείωση: Πρέπει να προσέχετε όταν τοποθετείτε ή αφαιρείτε τις μαγνητικά προσαρτημένες γρίλιες, για να μην προκαλέσετε σημάδια στο προϊόν. Οι γρίλιες θα προκαλέσουν σημάδια στη βάση του ηχείου/στηρίγματος αν πέσουν. Μπορείτε να αποφύγετε αυτό το πρόβλημα αν καλύψετε τη βάση όταν τοποθετείτε ή αφαιρείτε τις γρίλιες.

Τα διαφράγματα των τούιτερ είναι πολύ εύθραυστα και καταστρέφονται εύκολα. Στη συσκευασία των 800 Series Diamond, περιλαμβάνουμε μια ασφάλινη γρίλια που μπορεί να προστατέψει το τούιτερ από πολλά είδη ζημιάς. Ωστόσο, θα πρέπει να εξακολουθείτε να είστε προσεκτικοί όταν χειρίζεστε και καθαρίζετε τα ηχεία σας.

Πληροφορίες σχετικά με το περιβάλλον

Αυτό το προϊόν πληροί τις διεθνείς οδηγίες, στις οποίες συγκαταλέγονται, χωρίς περιορισμούς:

- η οδηγία **Restriction of Hazardous Substances** (RoHS - Περιορισμός στη χρήση επικίνδυνων ουσιών) στα είδη ηλεκτρικού και ηλεκτρονικού εξοπλισμού
- η οδηγία **Registration, Evaluation, Authorisation and restriction of CHemicals** (REACH - Καταχώριση, αξιολόγηση, αδειοδότηση και περιορισμοί των χημικών προϊόντων)
- η οδηγία σχετικά με την απόρριψη **Waste Electrical and Electronic Equipment** (WEEE - Απόβλητα ηλεκτρικού και ηλεκτρονικού εξοπλισμού).

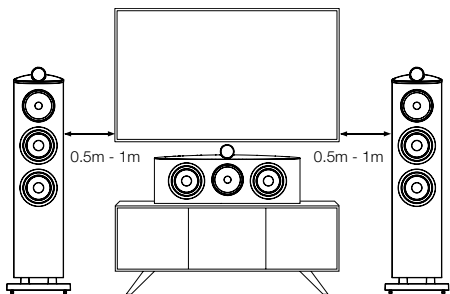
Συμβουλευτείτε την τοπική αρχή διάθεσης αποβλήτων για οδηγίες σχετικά με τους τρόπους σωστής ανακύκλωσης ή απόρριψης του προϊόντος αυτού.

Το συγκρότημα τούιτερ σε αυτό το ηχείο 800 Series Diamond είναι ένα αποσυζευγμένο εξάρτημα που είναι μηχανικά απομονωμένο από το κυρίως μέρος του περιβλήματος. Για αυτόν τον λόγο, ενδέχεται να φαίνεται χαλαρό όταν το προϊόν αφαιρεθεί για πρώτη φορά από τη συσκευασία του. Αυτό δεν είναι κάποιο ελάττωμα, είναι ένα εγγενές χαρακτηριστικό της σχεδίασης και διασφαλίζει τη βέλτιστη απόδοση του ηχείου.

Αν το συγκρότημα τούιτερ έχει μετακινηθεί ελαφρώς κατά τη μεταφορά και απαιτεί ρύθμιση, το συγκρότημα μπορεί να μετακινηθεί πολύ ελαφρώς προς τα εμπρός και προς τα πίσω, για να διασφαλιστεί ότι το πίσω μέρος του κυρίως σώματος του τούιτερ είναι ευθυγραμμισμένο με το πίσω μέρος του περιβλήματος του ηχείου. Το συγκρότημα τούιτερ μπορεί επίσης να περιστραφεί πολύ ελαφρώς, για να διασφαλιστεί ότι το λογότυπο Bowers & Wilkins έχει κατακόρυφο προσανατολισμό. Μη μετακινείτε το τούιτερ σε οποιαδήποτε θέση μετά τους μαλακούς τερματικούς αναστολείς όταν πραγματοποιείτε αυτές τις ρυθμίσεις.

Σημείωση: Πρέπει να προσέχετε να μην προκαλέσετε ζημιά στο συγκρότημα απομόνωσης όταν πραγματοποιείτε αυτές τις ρυθμίσεις - ζητήστε βοήθεια από την τοπική αντιπροσωπία αν έχετε οποιαδήποτε αμφιβολία σχετικά με τη ρύθμιση του συγκροτήματος τούιτερ.

2. Τοποθέτηση



Τοποθέτηση ηχείου

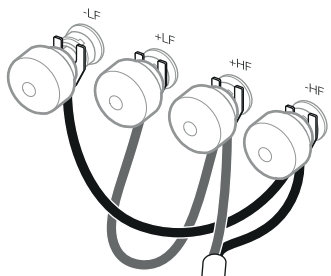
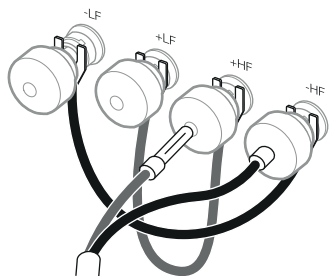
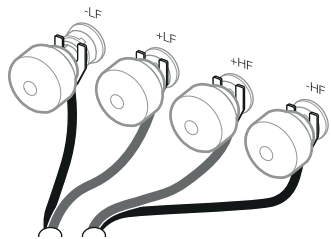
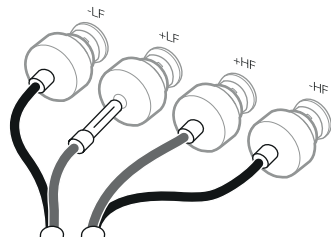
Αν χρησιμοποιείτε μια τηλεοπτική συσκευή προβολής με ηχητικά διαφανή οθόνι, τοποθετήστε το ηχείο HTM81 D4 ή HTM82 D4 πίσω από το κέντρο της οθόνης. Διαφορετικά, τοποθετήστε το ακριβώς κάτω ή ακριβώς πάνω από την οθόνη χρησιμοποιώντας μια επιδαπέδια βάση, κάποιο έπιπλο ή ένα επιτοίχιο ράφι, διασφαλίζοντας ότι το ηχείο είναι όσο το δυνατόν πιο κοντά στο ύψος των αυτιών σας.

Αν πρόκειται να χρησιμοποιηθεί μια επιδαπέδια βάση, συνιστούμε το FS-HTM D4. Το FS-HTM D4 είναι μια προσαρμόσιμη βάση κεντρικού ηχείου που επιτρέπει να δοθεί κλίση 4 ή 8 μοιρών στο HTM81 D4 ή στο HTM82 D4. Αυτό το εύρος προσαρμογής σας διευκολύνει να «στοχεύσετε» το ηχείο στο ύψος των αυτιών σας όταν είστε καθιστοί. Είναι σημαντικό τόσο για την ασφάλεια όσο και για την απόδοση να ακολουθούνται οι οδηγίες συναρμολόγησης της επιδαπέδιας βάσης.

Αν χρησιμοποιηθεί ένα επιτοίχιο ράφι ή κάποιο έπιπλο, συνιστούμε να χρησιμοποιηθούν τα παρεμβύσματα από αφρώδες υλικό (παρέχονται) για να βελτιστοποιηθεί η απόδοση των θυρών (ανατρέξτε στην Ενότητα 4: Μικροσυντονισμός και πρώτη λειτουργία).

Σημείωση: Αν χρησιμοποιείτε ράφι, διασφαλίστε ότι είναι αρκετά ανθεκτικό για να υποστηρίξει σωστά το βάρος και τοποθετήστε τα 4 αυτοκόλλητα πλαστικά πόδια στην κάτω πλευρά του ηχείου.

3. Συνδέσεις



Σημαντική ειδοποίηση για την ασφάλεια

Όλες οι συνδέσεις θα πρέπει να γίνονται με τον ηχητικό εξοπλισμό απενεργοποιημένο. Όταν χρησιμοποιείτε ηχητικό εξοπλισμό σε κανονική λειτουργία, το άγγιγμα μη μονωμένων ακροδεκτών ηχείων ή καλωδίων ενδέχεται να έχει ως αποτέλεσμα μια δυσάρεστη αίσθηση.

Οι ακροδέκτες των ηχείων HTM81 D4 και HTM2 D4 δέχονται μια ποικιλία ακροδεκτών καλωδίων: κυλινδρικά βύσματα 4 mm, διχαλωτούς ακροδέκτες 6 mm και 8 mm (1/4 ίντσας και 5/16 ίντσας) ή γυμνά καλώδια διαμέτρου έως 4 mm (5/32 ίντσας).



Σημαντική ειδοποίηση για την ασφάλεια

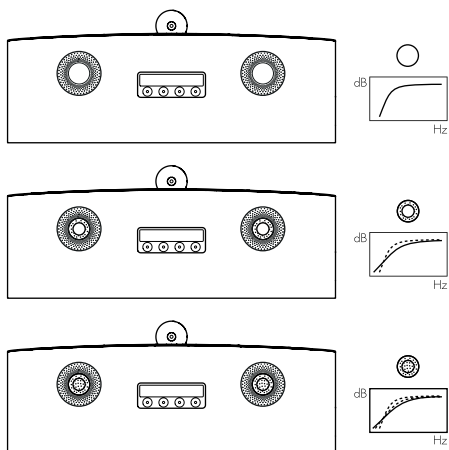
Σε ορισμένες χώρες, ειδικότερα σε αυτές της Ευρώπης, η χρήση κυλινδρικών βυσμάτων 4 mm θεωρείται δυνητικός κίνδυνος για την ασφάλεια, επειδή μπορούν να τοποθετηθούν μέσα στις σπές ακάλυπτων πριζών του δικτύου τροφοδοσίας. Προκειμένου να πληρούνται οι ευρωπαϊκοί κανονισμοί ασφαλείας GENELEC, οι σπές 4 mm στις άκρες των ακροδεκτών φράζονται με πλαστικούς πείρους. Αν χρησιμοποιείτε τα προϊόντα σε οποιαδήποτε χώρα στην οποία ισχύουν αυτές οι προϋποθέσεις, θα πρέπει να διασφαλίσετε ότι τυχόν κυλινδρικά βύσματα δεν μπορούν να χρησιμοποιηθούν με επισφαλή τρόπο από παιδιά ή άλλα ανενήμερα άτομα. Οι πλαστικοί πείροι μπορούν να αφαιρεθούν αν θέλετε να χρησιμοποιήσετε κυλινδρικά βύσματα.

Ζητήστε συμβουλές από την τοπική αντιπροσωπία όταν επιλέγετε καλώδιο ηχείου. Διατηρήστε τη συνολική του σύνθετη αντίσταση χαμηλότερη από τη μέγιστη συνιστώμενη στις προδιαγραφές του ηχείου και χρησιμοποιήστε ένα καλώδιο χαμηλής αυτεπαγωγής για να αποφύγετε την εξασθένηση των υψηλών συχνοτήτων.

Υπάρχουν δύο ζεύγη ακροδεκτών στο πίσω μέρος κάθε ηχείου που επιτρέπουν τη σύνδεση με δύο καλώδια (επάνω). Για σύνδεση με ένα καλώδιο, τοποθετήστε τα παρεχόμενα καλώδια σύνδεσης για να ενώσετε τους ακροδέκτες ίδιας πολικότητας μεταξύ τους.

Διασφαλίστε ότι οι θετικοί ακροδέκτες στο ηχείο (με κόκκινο δακτύλιο) είναι συνδεδεμένοι στο θετικό ακροδέκτη εξόδου στον ενισχυτή και ότι οι αρνητικοί ακροδέκτες στο ηχείο (με μαύρο δακτύλιο) είναι πάντα συνδεδεμένοι στον αρνητικό ακροδέκτη εξόδου στον ενισχυτή. Η εσφαλμένη σύνδεση δεν θα προκαλέσει ζημιά, αλλά θα προκαλέσει κακή στερεοφωνική απεικόνιση και απώλεια μπάσων. Πάντα να βιδώνετε εντελώς τα καπάκια των ακροδεκτών για να αποτρέψετε το κροτάλισμα.

4. Μικροσυντονισμός και πρώτη λειτουργία



Πριν από το μικροσυντονισμό, βεβαιωθείτε ότι όλες οι συνδέσεις της εγκατάστασης είναι σωστές και ασφαλείς.

Η απομάκρυνση των ηχείων περισσότερο από τους τοίχους γενικώς θα μειώσει την ένταση των μπάσων. Ο χώρος πίσω από τα ηχεία θα βοηθήσει επίσης να δημιουργήσετε μία ακουστική αίσθηση βάθους. Αντίθετα, η μετακίνηση των ηχείων πλησιέστερα στους τοίχους θα αυξήσει την ένταση των μπάσων. Αν θέλετε να μειώσετε την ένταση των μπάσων χωρίς να μετακινήσετε τα ηχεία περισσότερο από τον τοίχο, τοποθετήστε τα παρεμβύσματα αφρού ή, για μικρότερη μείωση των μπάσων, τους δακτυλίους αφρού στους σωλήνες των θυρών (επάνω). Δοκιμάστε να αξιολογήσετε τον αντίκτυπο της τοποθέτησης του παρεμβύσματος/δακτυλίου αφρού στη μία από τις θύρες προτού αξιολογήσετε τον αντίκτυπο της τοποθέτησης των παρεμβυσμάτων/δακτυλίων αφρού και στις δύο θύρες.

Αν τα μπάσα ακούγονται ανομοιόμορφα με τη συχνότητα, αυτό κατά πάσα πιθανότητα θα οφείλεται στις ακουστικές ιδιότητες του δωματίου ακρόασης. Ακόμα και μικρές αλλαγές στην τοποθέτηση των ηχείων ή στη θέση ακρόασης μπορούν να έχουν σημαντική επίδραση στον τρόπο που επηρεάζεται ο ήχος από τις ιδιοσυχνότητες. Δοκιμάστε να μετακινήσετε τη θέση ακρόασης ή τοποθετήστε τα ηχεία σας κοντά σε διαφορετικό τοίχο, αν είναι δυνατό. Η παρουσία και η θέση μεγάλων επίπλων μπορεί επίσης να επηρεάσει τις ακουστικές ιδιότητες.

Εάν υπάρχει απώλεια εστίασης στην κεντρική εικόνα, δοκιμάστε να μετακινήσετε τα ηχεία πιο κοντά μεταξύ τους ή να τους δώσετε κλίση προς τα μέσα ώστε να είναι στραμμένα προς μια θέση ακριβώς μπροστά από τη θέση ακρόασης.

Εάν ο ήχος είναι υπερβολικά έντονος, τοποθετήστε περισσότερα υφάσματα επίπλωσης στο δωμάτιο (π.χ. πιο βαριές κουρτίνες) για να ισοροπήσετε τον ήχο. Αντίθετα, εάν τοποθετήσετε λιγότερα υφάσματα επίπλωσης, ενδέχεται ο ήχος να γίνει πιο έντονος.

Για πιο εκλεπτυσμένη ακρόαση, αφαιρέστε τις γρίλιες μπάσων/μεσαίας εμβέλειας πιάνοντάς τις από τα άκρα τους και τραβώντας τις απαλά μακριά από το περιβλήμα.

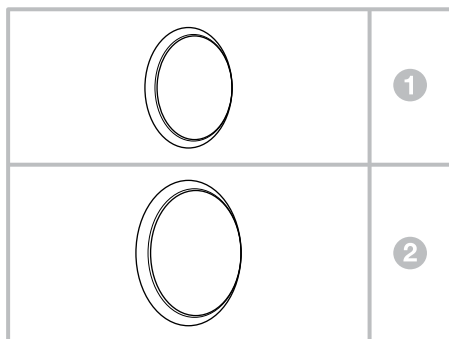
Η απόδοση του ηχείου θα αλλάξει ελαφρά κατά τη διάρκεια της αρχικής περιόδου ακρόασης. Αν το ηχείο έχει αποθηκευτεί σε ψυχρό περιβάλλον, οι ουσίες απόσβεσης των κραδασμών και τα υλικά ανάρτησης των μονάδων οδήγησης θα χρειαστούν λίγο χρόνο για να ανακτήσουν τις σωστές μηχανικές τους ιδιότητες. Τα εξαρτήματα ανάρτησης της μονάδας οδήγησης θα χαλαρώσουν επίσης κατά τη διάρκεια των πρώτων ωρών χρήσης. Ο χρόνος που χρειάζεται το ηχείο για να επιτύχει την απόδοση για την οποία προορίζεται θα ποικίλλει, ανάλογα με τις συνθήκες όπου είχε αποθηκευτεί προηγούμενως και τον τρόπο χρήσης του. Ως κανόνα, να αφήνετε να παρέλθει έως μία εβδομάδα για να σταθεροποιηθούν οι επιδράσεις της θερμοκρασίας και 15 ώρες χρήσης κατά μέσο όρο προκειμένου τα μηχανικά μέρη να αποκτήσουν τα χαρακτηριστικά σχεδίασης που πρέπει.

5. Φροντίδα και συντήρηση

Οι επιφάνειες του περιβλήματος συνήθως χρειάζονται μόνο ξεσκόνισμα. Συνιστούμε να χρησιμοποιήσετε το πανί που συνοδεύει το προϊόν. Αν θέλετε να χρησιμοποιήσετε κάποιο σπρέι ή άλλο καθαριστικό, απλώστε το καθαριστικό επάνω στο πανί, όχι απευθείας επάνω στο προϊόν και δοκιμάστε πρώτα σε μια μικρή περιοχή, καθώς ορισμένα καθαριστικά προϊόντα ενδέχεται να προκαλέσουν ζημιά σε ορισμένες από τις επιφάνειες. Αποφεύγετε τα αποξεστικά προϊόντα ή τα προϊόντα που περιέχουν οξειδωτικούς, αλκαλικούς ή αντιβακτηριακούς παράγοντες. Μη χρησιμοποιείτε καθαριστικά στις μονάδες οδήγησης. Αποφεύγετε να αγγίζετε τις μονάδες οδήγησης, καθώς ενδέχεται να προκληθεί ζημιά.

Όποτε τα ηχεία Bowers & Wilkins έχουν φινιρίσμα από πραγματικό ξύλο, επιλέγονται τα καλύτερα ξυλόφυλλα και υποβάλλονται σε επεξεργασία με ένα βερνίκι που είναι ανθεκτικό στην υπεριώδη ακτινοβολία, για να ελαχιστοποιηθούν οι αλλαγές στο χρώμα με την πάροδο του χρόνου. Εντούτοις, όπως όλα τα φυσικά υλικά, το ξυλόφυλλο αντιδρά στο περιβάλλον του και είναι αναμενόμενος ένας βαθμός αποχρωματισμού. Οι διαφορές χρώματος μπορούν να αποκατασταθούν εκθέτοντας εξίσου και ομαλά στο ηλιακό φως όλες τις επιφάνειες ξυλόφυλλου, μέχρι το χρώμα να είναι ομοιόμορφο. Αυτή η διαδικασία μπορεί να διαρκέσει αρκετές ημέρες ή ακόμα και εβδομάδες, αλλά ενδέχεται να επιταχυνθεί με προσεκτική χρήση ενός λαμπτήρα υπεριώδους φωτός. Οι επιφάνειες με ξυλόφυλλο θα πρέπει επίσης να διατηρούνται μακριά από άμεσες πηγές θερμότητας, όπως καλοριφέρ και εξεριστήρες θερμού αέρα, προκειμένου να ελαχιστοποιηθεί η πιθανότητα πρόκλησης ρωγμών στο ξυλόφυλλο.

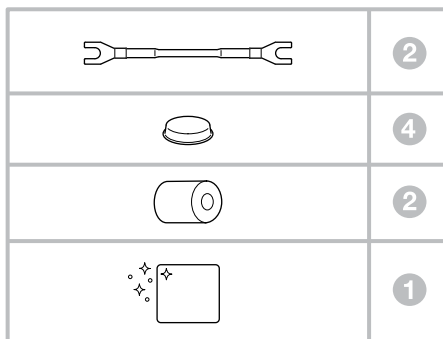
Το περίβλημα του τούιτερ έχει ανάγλυφο φινιρίσμα επιφάνειας, στο οποίο ενδέχεται να δημιουργούνται επιφανειακά σημάδια κατά τον χειρισμό του, οπότε θα πρέπει να καθαρίζεται σκουπίζοντας με το παρεχόμενο πανί καθαρισμού γύρω από το περίβλημα, ακολουθώντας την υφή της επιφάνειας.

**Содержание упаковки**

- 1 Решетка для средних частот
- 2 Решетки для низких частот
- 2 Соединительные провода клемм
- 4 Самоклеящиеся пластиковые опоры
- 2 Поролоновые заглушки из двух частей
- 1 Ткань для очистки

Акустические системы HTM81 D4 и HTM82 D4 очень тяжелые, и поэтому мы настоятельно рекомендуем, чтобы вы их распаковывали вдвоем, причем в той комнате, где они будут стоять. Следует также снять с рук все кольца и украшения, чтобы не поцарапать полированную отделку колонок.

В Таблице наверху приведены иллюстрации деталей, упакованных вместе с HTM81 D4 и HTM82 D4. Если вы что-то не обнаружили, обращайтесь к розничному торговцу, у которого вы купили акустические системы.



Все защитные решетки крепятся на магнитах. Более тяжелые защитные решетки для НЧ- и СЧ-динамиков упакованы в отдельные ячейки, чтобы избежать их перемещения при транспортировке.

Примечание: Установку и снятие решеток с магнитным креплением следует проводить с осторожностью, чтобы не оставить следов на продукте. При падении решетки остаются след на колонке/основании; чтобы этого не допустить, при установке и снятии решеток вы можете закрыть основание.

Купольные диафрагмы твитеров очень хрупкие и их легко повредить. В Серии 800 Diamond используются стальные решетки, защищающие твитер от повреждения. Однако, при чистке колонок или уходе за ними нужно проявлять осторожность.

Информация по защите окружающей среды

Этот продукт полностью соответствует международным директивам, включая, но не ограничиваясь:

- i. По ограничениям использования опасных материалов (**R**estriction of **H**azardous **S**ubstances – RoHS) в электрическом и электронном оборудовании,
- ii. По регистрации, оценке, авторизации и ограничению использования химических веществ – **R**egistration, **E**valuation, **A**uthorisation and restriction of **C**hemicals (REACH)
- iii. По утилизации отходов – **W**aste **E**lectrical and **E**lectronic **E**quipment – (WEEE).

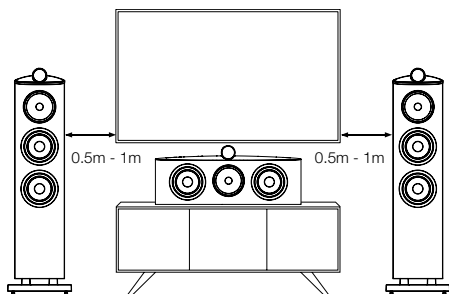
Проконсультируйтесь с вашей местной организацией, которая занимается утилизацией отходов, по вопросам правильной сдачи вашего оборудования в утиль.

Модуль твитера в новых акустических системах Серии 800 Diamond механически развязан и виброизолирован от основного корпуса. Поэтому вначале, когда вы впервые вынете колонку из упаковки, вам может показаться, что он слегка болтается. Но это не дефект, а специальная функция, присущая данной конструкции и обеспечивающая оптимальное качество работы вашей акустической системы.

Если блок твитера незначительно сместился при транспортировке и требуется регулировка, его можно слегка подвинуть вперед или назад, чтобы отцентровать заднюю панель корпуса твитера с задней панелью корпуса колонки. Блок твитера также можно немного повернуть, следя за тем, чтобы логотип Bowers & Wilkins был расположен вертикально. Во время регулировки не допускайте установки твитера в положение за пределами мягких концевых ограничителей.

Примечание: Выполнять регулировки следует с осторожностью, чтобы не повредить узел разделения. Если у вас возникли вопросы по регулировке блока твитера, обратитесь к своему дилеру за помощью.

2. Размещение



Установка акустических систем

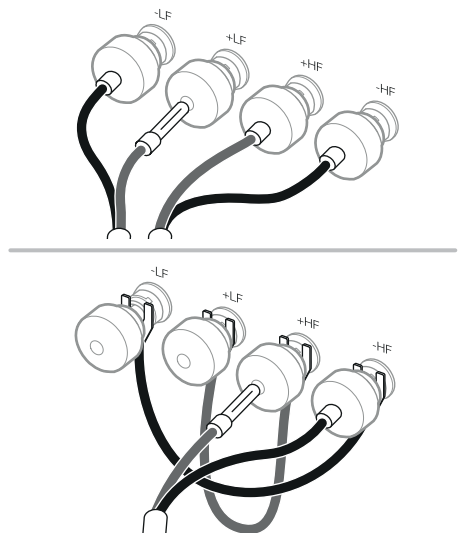
При использовании проекционного телевизора с акустически прозрачным экраном, установите вашу HTM81 D4 или HTM82 D4 за центром экрана. В остальных случаях размещайте AC непосредственно над или под экраном, используя для этого напольную подставку, мебель или настенную полку, так чтобы ее высота была как можно ближе к уровню ушей слушателей.

Если вы хотите использовать напольную подставку, мы рекомендуем FS-HTM D4. FS-HTM D3 – это регулируемая стойка для центральной AC, которая позволяет наклонять HTM81 D4 или HTM82 D4 на угол 4° или 8°. Такая возможность облегчает нацеливание излучения AC на уши слушателей, когда они сидят. Для безопасности установки и обеспечения качества важно соблюдать инструкции по сборке напольной подставки.

Если используется настенная полка или мебель, мы рекомендуем вставить поролоновые заглушки (прилагаемые в комплекте) для оптимизации работы порта фазоинвертора (см. Раздел 4: Точная настройка и начало работы).

Примечание: при установке на полку убедитесь, что она достаточно прочна, чтобы выдержать вес, и подложите самоклеящиеся пластиковые опоры под низ колонки.

3. Подсоединение



Важное уведомление по технике безопасности

Все подключения выполняются при выключенной аудиосистеме. При использовании аудиосистемы в стандартном режиме касание неизолированных выводов колонок или проводки может вызвать неприятные ощущения.

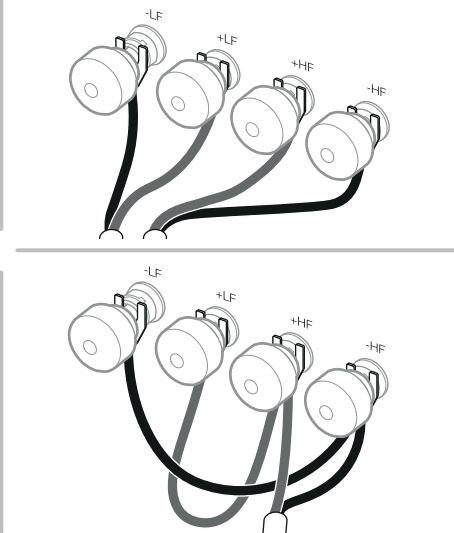
Клеммы HTM81 D4 и HTM82 D4 принимают широкое разнообразие кабельных разъемов: 4-мм разъемы «бананы», лопатки шириной 6 мм и 8 мм (1/4 in и 5/16 in), или же зачищенные концы кабелей диаметром до 4 мм (5/32 in).



Важное замечание по безопасности

В некоторых странах, в частности в Европе, использование 4-мм разъемов «бананов» считается потенциально опасным, т.к. их по ошибке можно вставить в электрическую розетку. Для согласования с европейскими нормами безопасности (European CENELEC), 4-мм отверстия на концах клемм заблокированы пластмассовыми пробками. Если вы используете продукт в стране, где эти нормы действуют, вы должны быть уверены, что разъемы «бананы» не смогут быть применены детьми или неосведомленными людьми с опасностью для здоровья. Пластиковые штифты могут быть удалены, если необходимо использовать разъемы типа банан.

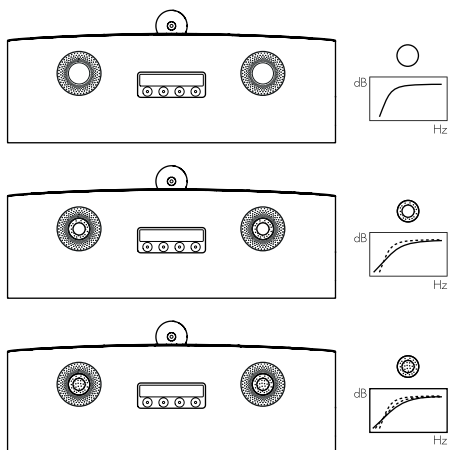
Ask your dealer for advice when selecting speaker cable. Keep its total impedance below the maximum recommended in the speaker specification and use a low inductance cable to avoid attenuation of high frequencies.



На задней панели колонок имеются по две пары клемм, чтобы обеспечить возможность подключения би-ваерингом (двухкабельное, bi-wiring, см. выше). Для обычного, однокабельного подключения, подсоедините проводники к клеммам соответствующей полярности.

Убедитесь, что плюсовая клемма на колонке (с красным кольцом) соединена с плюсовой выходной клеммой на усилителе, а минусовая на колонке (с черным кольцом) соединена с минусовой выходной клеммой на усилителе. Неверное соединение не приведет к повреждениям, но ухудшит стерео образ и ослабит басы. Всегда завинчивайте головки клемм до упора, чтобы избежать вибраций.

4. Точная настройка и начало работы



Перед окончательной точной настройкой убедитесь, что все подключено правильно и надежно.

Отдвигая колонки от стен, вы, как правило, уменьшаете уровень басов. Достаточное расстояние позади колонок позволяет также создать ощущение глубины. Соответственно, придвинув колонки к стенам, вы увеличите долю басов. Если вы хотите снизить уровень басов, не отдавляя колонки от стен, вставьте поролоновую заглушку в порт фазоинвертора, или же – для не такого резкого снижения – поролоновое кольцо (см. рис. выше). Попробуйте оценить эффект от установки поролоновой заглушки / поролонового кольца в одном из портов, прежде чем определить эффект использования поролоновых заглушек / поролоновых колец в двух портах.

Неравномерное распределение басов обычно вызывается стоячими волнами в комнате, и поэтому имеет смысл поэкспериментировать с расстановкой обоих колонок и выбором места слушателя. Попробуйте расположить колонки вдоль другой стены. На звучание может повлиять даже перемещение крупной мебели.

Если звуковой образ в центре слабый, попробуйте пододвинуть колонки ближе друг к другу или же направить в точку перед слушателями.

Если звук слишком резкий, добавьте мягкой мебели в комнате (например, повесьте тяжелые шторы), или наоборот – уберите их, если звук глухой и безжизненный.

Для наиболее взыскательных слушателей снимите защитные решетки с басовой и среднечастотной секций, взяв их за края и осторожно потянув к себе.

Звучание АС слегка меняется в течение начального периода прослушивания. Если колонка хранилась в холодном помещении, то для демпфирующих материалов и подвеса динамиков потребуется некоторое время на восстановление механических свойств. Подвес диффузора также слегка снижает свою жесткость в течение первых часов работы. Время, которое потребуется АС для полного выхода на расчетные характеристики зависит от условия хранения и интенсивности использования. Как правило, потребуется неделя на устранения температурных эффектов и около 15 часов на достижение механическими частями желаемых характеристик.

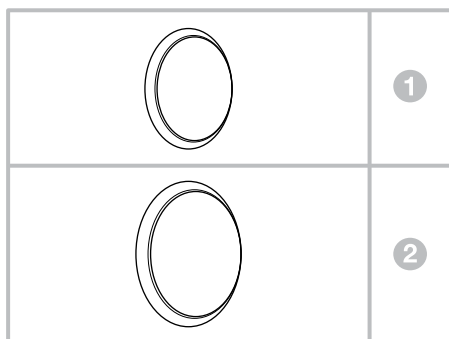
5. Уход

Обычно корпуса колонок не требуют ничего, кроме протирки от пыли. Мы рекомендуем использовать ткань, прилагаемую в комплекте. Если же вы захотите использовать антистатик-аэрозоль для чистки, то распылите аэрозоль на протирающую ткань, а не на корпус. Испробуйте его сначала на небольшом участке поверхности, т.к. некоторые моющие вещества могут повреждать отделку. Избегайте применения жидкостей с абразивными частицами, содержащих кислоту или щелочь, а также антибактериальные вещества. Не используйте чистящие жидкости для динамиков. Избегайте касания диффузоров динамиков, т.к. это может привести к их повреждению.

Когда для отделки корпусов АС Bowers & Wilkins используется натуральное дерево, лучшие сорта шпона покрываются лаком, стойким к ультрафиолетовому излучению для минимизации изменений цвета со временем. Тем не менее, как и любой природный материал, фанера подвержена воздействию окружающей среды, и какое-то выцветание все равно возможно со временем. Разница в окраске может быть заглажена выставлением всех фанерованных поверхностей на солнце до тех пор, пока она не станет незаметной. Этот процесс может занять несколько дней или недель, но его можно ускорить умелым и аккуратным использованием ультрафиолетовой лампы. Держите фанерованные поверхности подальше от источников тепла, таких как радиаторы, тепловентиляторы или батареи центрального отопления, чтобы избежать растрескивания.

Корпус твитера имеет текстурное покрытие, на котором могут оставаться следы при перемещении. Для того чтобы их удалить, используйте поставленную в комплекте ткань для очистки, протирая корпус по текстуре.

1. Vybalení

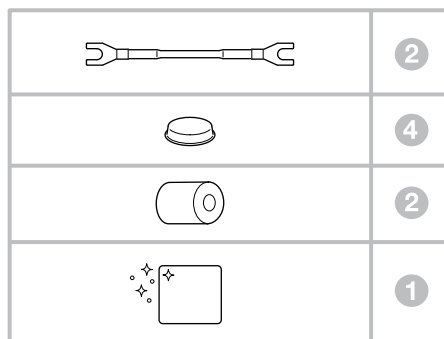


Obsah balení

- 1 středotónová mřížka
- 2 basové mřížky
- 2 terminálové propojky
- 4 samolepící plastové podložky
- 2 dvoudílné pěnové zásepky
- 1 čistící utěrka

Reposoustavy HTM81 D4 a HTM82 D4 mají velkou hmotnost a proto důrazně doporučujeme provádět vybalení až v místnosti, kde budou instalovány, přičemž k manipulaci je zapotřebí nejméně dvou osob. Při vybalování a manipulaci si z rukou sundejte šperky (prsteny, náramky apod.), aby nedošlo k poškrábání povrchu reposoustav.

V tabulce nahoře je výčet příslušenství, jenž by mělo být přibaleno k reposoustavám HTM81 D4 a HTM82 D4. V případě, že by vám cokoli z tohoto příslušenství chybělo, neváhejte prosím kontaktovat vašeho prodejce.



Všechny krycí mřížky reproduktorů jsou uchyceny magneticky. Mřížka kryjící středobasovou sekci je balena zvlášť, aby během přepravy nedošlo k jejímu posunutí a poškození ozvučnice.

Poznámka: Při nasazování či sundávání magneticky uchycených mřížek buďte velmi opatrní, abyste mřížkou nepoškodili povrch jiných součástí. Například při pádu mřížky může dojít k poškrábání, nebo odštipnutí povrchu základny reposoustavy či stojanu. Abyste poškození předešli, můžete před manipulací s mřížkami základnu něčím zakrýt.

Membrána vysokotónového reproduktoru je velmi křehká a lze ji snadno poškodit. Reposoustavy řady 800 Diamond jsme vybavili kovovou mřížkou, chránící membránu vysokotónového reproduktoru před poškozením. Nicméně, i přes tuto ochranu buďte opatrní, kdykoli s reposoustavami manipulujete, nebo je čistíte.

Informace k životnímu prostředí

Tento produkt je konstruován s ohledem na nejen tyto mezinárodní předpisy:

- i. RoHS (**R**estriction of **H**azardous **S**ubstances) jenž se týká omezení nebezpečných látek v elektrických a elektronických zařízeních
- ii. REACH (**R**egistration, **E**valuation, **A**uthorisation and restriction of **C**hemicals), jenž se týká registrace, evaluace, autorizace a restrikce chemických látek
- iii. WEEE (**W**aste **E**lectrical and **E**lectronic **E**quipment), jenž se týká likvidací elektrického a elektronického zařízení.

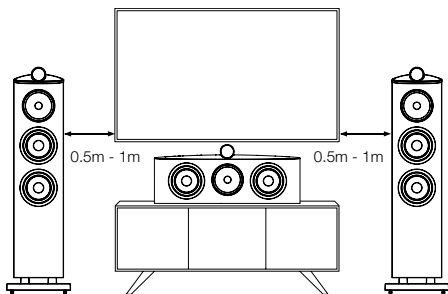
Více informací o tom, jak správně recyklovat nebo likvidovat tento výrobek, získáte od příslušného orgánu, který se zabývá likvidací odpadu.

Vysokotónová část těchto reposoustav řady 800 Diamond je samostatným komponentem, mechanicky odděleným od hlavní ozvučnice. Při vybalování reposoustav to může vypadat, jako by tato část byla uvolněná. Nejedná se však o závadu – je to řešení pro docílení optimální reprodukce vašich reposoustav.

Pokud během transportu reposoustav došlo k tomu, že se vysokotónová část dostala do špatné polohy, můžete mírným posunutím dopředu či dozadu upravit její pozici tak, aby zadní část těla vysokotónového reproduktoru byla zarovnána se zadní částí ozvučnice reposoustavy. Vysokotónovou částí lze také mírně otáčet, aby logo Bowers & Wilkins bylo ve vertikální pozici. Při pohybování s vysokotónovým reproduktorem však buďte velmi opatrní a pokud při pohybu nějakým směrem narazíte i na jemný odpor (doraz), nesnažte se jej překonat.

Poznámka: Při doladování pozice odděleného vysokotónového reproduktoru je třeba dbát opravdu velké opatrnosti. Pokud si nejste jisti, požádejte prosím raději o pomoc svého prodejce.

2. Umístění



Instalace reprosoustav

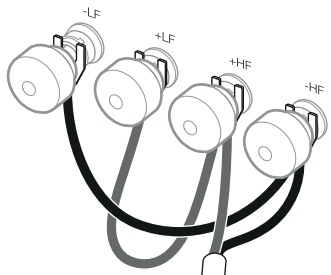
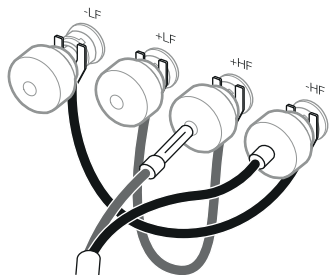
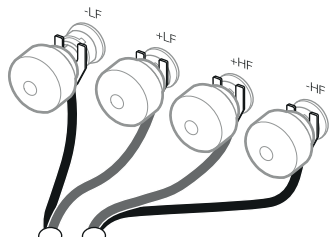
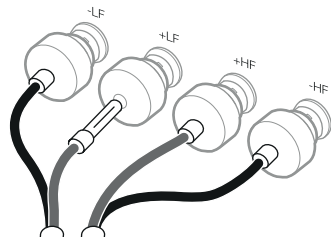
Používáte-li jako zobrazovač projekci s průsvitným plátnem, můžete vaši reprosoustavu HTM81 D4 či HTM82 D4 umístit doprostřed za promítací plátno. V jiných případech umístěte reprosoustavu co nejbližší horní, nebo spodní hraně zobrazovače tak, aby byla co nejbližší středu obrazu. Zároveň by reprosoustava měla být umístěna tak, aby se její vysokotónový reproduktor nacházel co nejbližší výšce uší posluchače. Instalovat ji přitom můžete na podlahový stojan, nábytkový prvek či polici.

Hodláte-li použít podlahový stojan, doporučujeme model FS-HTM D4, který je speciálně určen právě pod centrální reprosoustavy HTM81 D4 a HTM82 D4 a dovoluje jejich naklonění v úhlu 4° či 8°. Tato možnost naklonění je výhodná k docílení správného směrování vysokotónového reproduktoru vůči uším sedícího posluchače. Pro dosažení nejlepšího zvuku i bezpečnosti je důležité, provádět montáž stojanu důsledně dle přiložených instrukcí.

Budete-li reprosoustavu umísťovat na polici či nábytek, doporučujeme vyzkoušet dodávané pěnové basreflexové záslepky (v příslušenství) pro optimalizaci basového průběhu (více v kapitole 4: Finální doladění a rozehrávání).

Poznámka: Používáte-li polici či regál, ubezpečte se, že jejich nosnost odpovídá hmotnosti reprosoustav. Na reprosoustavy také zesponu nalepte 4 samolepící podložky.

3. Připojení



Důležité bezpečnostní upozornění

Všechny operace během zapojování je možné provádět jen tehdy, pokud jsou všechna audio zařízení vypnuta. V případě propojování se zapnutým audio zařízením může například při náhodném dotyku neizolovaných konektorů s terminály dojít k poškození či jiné nepříjemné situaci.

Terminály reprosoustav HTM81 D4 a HTM82 D4 umožňují různé způsoby připojení kabelu – pomocí 4mm banánků, 6mm či 8mm vidliček, nebo přímé připojení odizolovaného vodiče až 4mm průřezu.

Důležité bezpečnostní upozornění



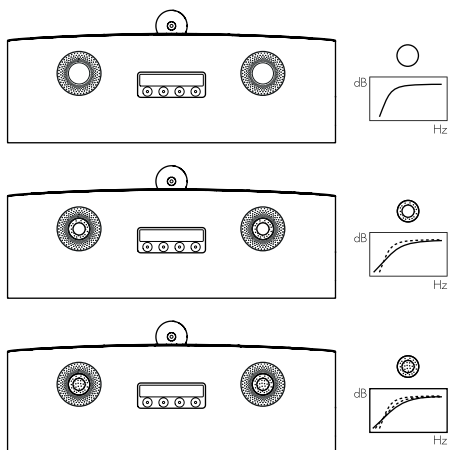
V některých, zvláště Evropských zemích, je použití 4mm banánků považováno za potenciálně nebezpečné, protože je možné je zaměnit se zásuvkou napájení. Pro splnění bezpečnostních předpisů European CENELEC, jsou 4mm zdiřky v terminálech blokovány plastovými záslepkami. Používáte-li zařízení v zemích, kde tyto normy platí, nepoužívejte 4mm banánky a nechte zdiřky zaslepené, abyste neohrozili bezpečnost neinformovaných osob a dětí. Chcete-li pro zapojení použít banánkové konektory, lze plastové záslepky odstranit.

V otázce výběru vhodného kabelu kontaktujte svého prodejce. Dbejte, aby celková impedance nepřesahovala doporučené maximum a použijte kabel s nízkou indukčancí, aby se nezhoršila reprodukce vyšších frekvencí.

Na zadní straně každé reprosoustavy jsou pak dva páry terminálů, dovolující zapojení Bi-Wire (vlevo). Při klasickém způsobu zapojení, spojte dodávanými propojkami terminály se stejnou polaritou (vpravo).

Dbejte, aby kladný kontakt reprosoustavy (označený červeně) byl připojen ke kladnému kontaktu zesilovače a záporný kontakt (označený černě) k zápornému. Nesprávné zapojení může mít za následek špatný stereofonní obraz a úbytek basů. Matice terminálů vždy pevně dotáhněte, aby nedocházelo k rezonancím.

4. Finální doladění a rozehrávání



Před konečným dolaďováním znovu zkontrolujte, zda je veškeré zapojení provedeno správně a pevně.

Posunutím reproduktů od zdi můžete redukovat celkovou úroveň basů. Prostor za reproduktami také pomáhá správnému podání hloubky zvukového obrazu. Obráceně, posunete-li reproduktory blíže ke zdi, zvýšíte úroveň basů. Pro redukcii úrovně basů bez posouvání reproduktů od zdi, můžete do basreflexových otvorů vložit celé pěnové zásepky, nebo (pro menší omezení basů) pouze vnější kroužky (viz obrázky nahoře). Před aplikací pěnových zásepky do obou basreflexových otvorů můžete vyzkoušet, jaký akustický efekt bude mít zasunutí zásepky pouze do jednoho z nich.

Nepříjemné zdůraznění basů může být také způsobeno rezonančními mody místnosti. V takovém případě zkuste měnit pozici obou reproduktů, můžete vyzkoušet i jejich umístění podél jiné stěny či změnit místo poslechu. Vliv může mít také přemístění větších kusů nábytku.

Je-li reprodukce moc slabá ve středu prostoru mezi reproduktami, zkuste zmenšit vzdálenost, která mezi nimi je, natočit je směrem k sobě či oddálit místo poslechu.

Je-li zvuk příliš ostrý, zatlumte místnost například nějakým čalouněným nábytkem (pomohou také těžké závěsy), nebo naopak takový nábytek omezte v případě, že je zvuk mdlý a utlumený.

Pro hodně soustředěný poslech demontujte z reproduktů mřížky kryjící středotónové a basové reproduktory. Mřížku vždy uchopte opatrně za okraje a jemným tahem směrem od ozvučnice ji sejměte.

Zvuk reproduktů se během určité doby používání mírně mění. Zvláště pokud byly reproduktory skladovány v chladném prostředí, nabývají tlumící závěsy a některé materiály v reproduktorech své správné mechanické vlastnosti teprve během provozu. Během prvních hodin provozu se jednotlivé části reproduktoru navzájem ideálně přizpůsobují. Délka tohoto procesu, během kterého reproduktory postupně zvukově „vyzrávají“ je velmi závislá na způsobu předchozího skladování a způsobu používání. Bývá pravidlem, že po zhruba týdnu teplotní stabilizace a asi 15 hodinách běžného provozu dosáhnou použité mechanické díly svých optimálních charakteristik.

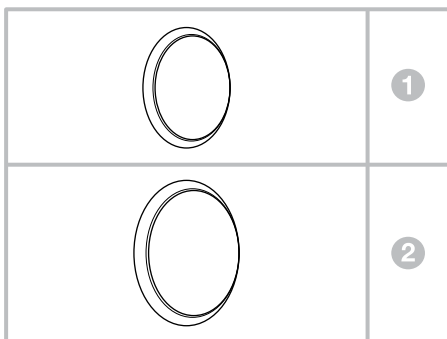
5. Údržba

Povrch kabinetu vyžaduje obvykle pouze občasné setření prachu. Doporučujeme používat utěrku dodávanou v příslušenství. Chcete-li použít nějaký čisticí prostředek ve spreji, nastříkejte jej napřed na utěrku, ne přímo na ozvučnici a vyzkoušejte nejprve na malé ploše, zda nepoškozuje povrch. Vyvarujte se čisticích prostředků obsahujících abraziva, kyseliny, chemikálie či antibakteriální složky. Čisticí prostředky nikdy nepoužívejte na membrány reproduktů. Tyto membrány mohou být snadno poškozeny, proto se jich nedotýkejte.

Tyto reproduktory Bowers & Wilkins jsou opatřeny kvalitní pravou dřevěnou dýhou, potaženou UV rezistentním lakem, což minimalizuje změny jejího zabarvení vlivem světla. Nicméně jako každý přírodní materiál, podléhá i tato dýha vlivu okolního prostředí. Případné rozdíly v zabarvení jednotlivých ploch mohou být srovnány vystavením celého povrchu rovnoměrnému působení slunečního světla tak dlouho, dokud rozdíl nezmižní. Tento proces může trvat několik dnů či týdnů, lze jej však urychlit opatrným použitím UV lampy. Výrobky opatřené dřevěnou dýhou by se také neměly nacházet v bezprostřední blízkosti zdrojů tepla, jako jsou např. radiátory či horkovzdušné ventilátory, zabráníte tak možnému popraskání dýhy.

Povrch krytu vysokotónového reproduktoru má jemnou texturu, na které se mohou například při manipulaci zachytit nečistoty či otisky. Povrch lze čistit dodávanou utěrkou krátkými pohyby ve směru jemných drážek.

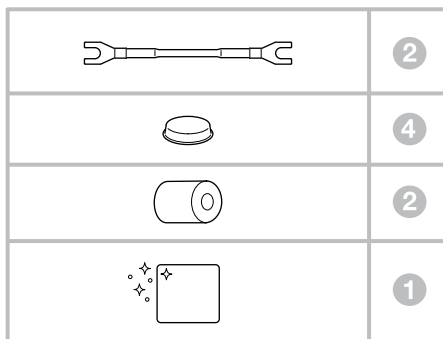
1. Kicsomagolás

**Ellenőrizze a dobozt**

- 1 Középsugárzó előlap
- 2 Mélysugárzó előlap
- 2 Összekötő vezeték
- 4 Öntapadó gumitalp
- 2 Kétrészes szivacs dugó
- 1 Tisztító kendő

A HTM81 D4 és a HTM82 D4 nagyon nehéz hangszugárzók, így javasoljuk, hogy a kicsomagoláskor két ember dolgozzon együtt. Ugyancsak különös figyelmet fordítson a kezén lévő ékszerek eltávolítására, nehogy azok felsértsék a hangszugárzó felületét.

A fenti táblázat mutatja be a HTM81 D4 és HTM82 D4 hangszugárzóhoz csomagolt tartozékokat. Abban az esetben, ha valami hiányozna, kérjük vegye fel a kapcsolatot azzal a szaküzlettel, ahol a hangszugárzót vásárolta.



Minden előlap mágnesesen csatlakozik a hangszugárzó házához. Az előlap külön van csomagolva, megelőzően, hogy a szállításkor elmozduljon.

Megjegyzés: A mágnesesen csatlakozó előlapok feltételekora vagy levételekora ügyeljen arra, hogy ne sértse meg a terméket. Az előlap megsértheti a terméket / állványt ha ráesik. Ez kiküszöbölhető, ha lefedi az állványt, amíg felrakja vagy leveszi az előlapot.

A magassugárzó membránja nagyon precíz, finom alkatrész, mely könnyen megsérülhet. A 800 Diamond sorozat, tartalmaz egy acél védőrácsot, mely megvédi a magassugárzót bármilyen sérüléstől. Ugyanakkor nagy odafigyeléssel mozgassa vagy tisztítsa a hangszugárzót.

Környezetvédelmi tájékoztató

A termék megfelel a nemzetközi előírásoknak, ideértve, de nem kizárólagosan a veszélyes anyagok elektromos és elektronikus berendezésekben történő használatának korlátozását előliró

- i. RoHS irányelvet (**R**estriction of **H**azardous **S**ubstances), a vegyi anyagok regisztrálásáról, értékeléséről, engedélyezéséről és korlátozásáról szóló
- ii. REACH irányelvet (**R**egistration, **E**valuation, **A**uthorisation and restriction of **C**hemicals, valamint az elektromos és
- iii. elektronikus berendezések hulladékairól szóló WEEE előírást (**W**aste **E**lectrical and **E**lectronic **E**quipment).

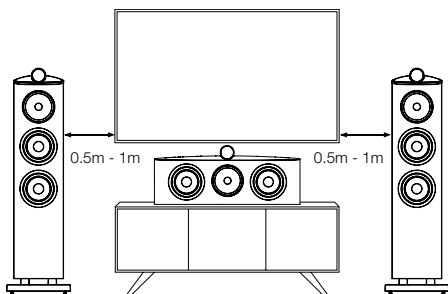
A termék megfelelő leselejtezéséről vagy újrahasznosításáról további információkat a helyi hulladékkezelőtől vagy hatóságától kérhet.

A 800 Diamond sorozat magassugárzó egysége elcsatolt alkatrész, amely mechanikusan el van szigetelve a kabinet fő részétől. Amikor az első alkalommal kicsomagolja a terméket a rögzítése lazának tűnhet. Ez azonban nem hiba, hanem a tervezés velejárója, és így biztosítja a hangszugárzó optimális teljesítményét.

Ha a magassugárzó háza a szállítás során elmozdult és beállítást igényel, a szerelvényt kissé előre és hátra lehet mozgatni annak érdekében, hogy a magassugárzó házában hátulja illeszkedjen a kabinet hátuljához. A magassugárzó egységet kissé el lehet forgatni, hogy a Bowers & Wilkins logó függőlegesen álljon. A beállítás alkalmával ne erőltesse a lágy véghatároló elemeken túl a magassugárzót.

Megjegyzés: A beállítások során ügyelni kell arra, hogy az elcsatolt egység ne sérüljön meg – kérjük, forduljon a kereskedőjéhez, ha kétségei vannak a magassugárzó beállításával kapcsolatban.

2. Elhelyezés



Hangsugárzó beállítás

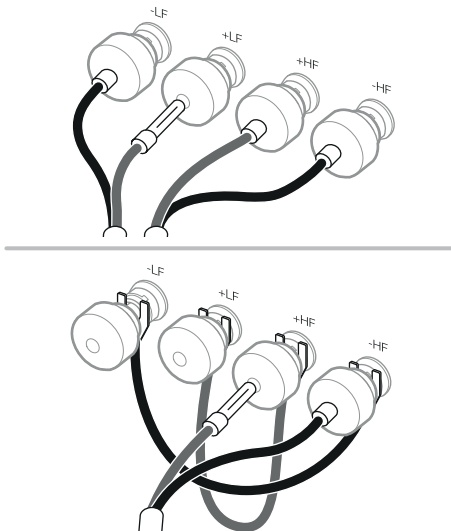
Ha projektort használ, hangáteresztő vászonnal, a HTM81 D4 vagy HTM82 D4 centersugárzót a képernyő mögé, a középpontba helyezze. Más esetekben közvetlen a vászon alá vagy fölé, a saját állványára vagy egy polcra, bútorra helyezze a hangsugárzót, lehetőleg legközelebb a fülmagassághoz.

Amennyiben padlón álló állványt szeretne használni, javasoljuk az FS-HTM D4 állványunkat. Az FS-HTM D4 állítható centersugárzó állvány, mely lehetővé teszi, hogy a HTM81 D4 vagy HTM82 D4 4 vagy 8 fokban szögben való beállítását. Ez által, a hangsugárzó pont a az ülő helyzetben lévő fülmagassághoz állítható be. A biztonság és a kiváló minőségű előadásmód érdekében kövesse pontosan az állvány összeszerelési útmutatóját.

Ha polcra vagy bútorra szeretné a centersugárzót tenni, javasoljuk a mellékelt szivacs dugók használatát, hogy optimalizálja a hangzást (see Section 4: Fine Tuning and Running In).

Megjegyzés: Ha polcot használ, győződjön meg arról, hogy az kellőképpen erős a hangsugárzó súlyának megtartásához, továbbá a mellékelt négy öntapadós gumitalpat ragassza fel a hangsugárzó aljára.

3. Csatlakoztatás



Fontos biztonsági tudnivalók

Minden csatlakoztatást az audio rendszer kikapcsolt állapotában végezzen. Mikor normál üzemben használja az audio rendszert, a szigetetlen csatlakozók vagy kábelezés megérintése kellemetlen érzés lehet.

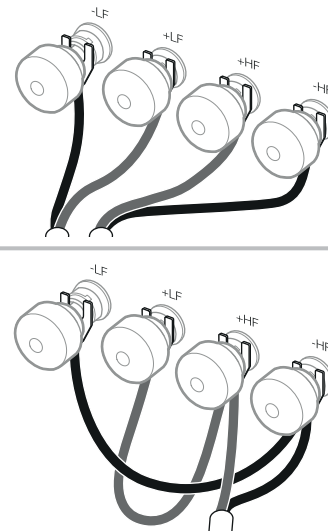
A HTM81 D4 és HTM82 D4 hangsugárzók sokfajta csatlakoztatási módra alkalmasak: 4mm-es banándugók, 6mm-es és 8mm-es (1/4 in és 5/16 in) saruk, csupaszcím kábel 4mm-es átmérőig.



Fontos biztonsági megjegyzés

Egyes országokban, leginkább Európában a 4mm-es banándugó használata potenciális veszélyforrásnak tekinthető, mert az bedugható a hálózati aljzatokba is. Az európai CENELEC biztonsági előírásoknak megfelelően a 4mm-es lyukak műanyagból készült dugókkal vannak lezárva. Amennyiben olyan helyen használja ezt a terméket, ahol ezek az előírások elfogadottak, győződjön meg arról, hogy a banándugókat nem használja kisgyermek vagy tájékozatlan személy. A műanyag dugók eltávolíthatók, ha banándugót használ.

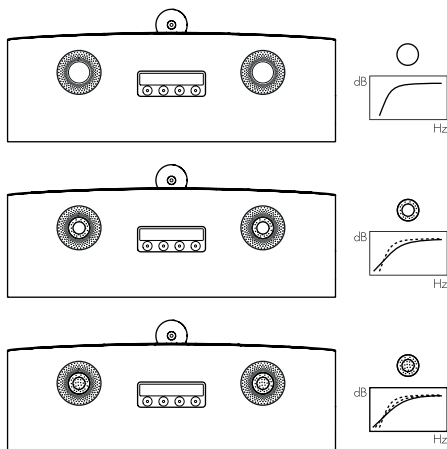
Hangsugárzókábel választásakor kérdezze ki a kereskedője tanácsát. A hangsugárzókábel impedanciája legyen alacsonyabb, mint az általunk javasolt maximális érték, melyet a technikai specifikációkban talál meg. Csak alacsony inductívitású kábel használjon, hogy ne jöhessen létre magasfrekvenciás gerjedés.



Két pár csatlakozójelző található a hangsugárzó hátulján, ezáltal kettős kábelezésre alkalmas. Hagyományos bekötéskor, használja a mellékelt áthidaló kábeleket és kösse össze az azonos polaritásokat.

Győződjön meg arról, hogy a hangsugárzó pozitív csatlakozói (piros színnel jelölve) az erősítő pozitív kimenetére vannak kötve és a negatív csatlakozók (fekete színnel jelölve), az erősítő negatív kimenetével vannak összekötve. A helytelen csatlakoztatás (fordított polaritás) nem okoz kárt a hangszórókban, ellenben a sztereó kép és a mélyhang is szegényes lesz. Csatlakoztatás után mindig húzza meg a csatlakozók sapkáit, megelőzve a zörgő hangokat.

4. Finomhangolás és bejaratás



A finomhangolás megkezdése előtt győződjön meg arról, hogy minden csatlakozás megfelelő és biztonságos.

Ha a falaktól távolabb mozgatja a hangszugárzókat, akkor csökken a mélyhangok szintje. A hangszugárzók mögötti tér mélységérzetet is segít létrehozni. Ezzel ellentétben, ha a falakhoz közel helyezi a hangszugárzókat, akkor növekszik a mélyhangok szintje. Ha csökkenteni szeretné a mélyhangok szintjét a hangszugárzók faltól történő távoltávolsága nélkül, akkor helyezze a szivacs dugókat a reflexcsövekbe a bal oldali lenti ábrának megfelelően. Ha a mélyhang nem egyenletes a frekvenciában, akkor azt gyakran a helyiség rezonanciája okozza. Először próbálja meg felmérni egy szivacs dugó / gyűrű reflexnyílásba való behelyezésének hatását, mielőtt mindkét nyílásba behelyezné a szivacs dugókat / gyűrűket.

Akár a hangszugárzók vagy a hallgató kis elmozdulása is óriási hatással lehet arra, hogy a rezonanciák hogyan befolyásolják a hangot. Próbálja a hangszugárzókat egy másik fal mellé helyezni. Még a nagyméretű bútorok mozgatása is befolyásolhatja a hatást.

Ha a centerkép nem fókuszált, akkor próbálja egymáshoz közelíteni a hangszugárzókat, vagy fordítsa őket befelé, hogy egy pontra nézzenek a hallgatási pozíció elé.

Ha a hang túl durva, növelje a puha bútorzat mennyiségét a helyiségben (például használjon nehéz függönyöket), vagy csökkentse, ha a hang túl unalmas, és élettelen.

A legigényesebb zenehallgatáskor távolítsa el a mélyszugárzó és a középszugárzó (óvatosan fogja meg a rács szélét majd óvatosan húzza el a háztól) előlapját.

A hangszugárzók hangminősége a kezdeti használat során jelentősen változik. Amennyiben a hangszugárzót hideg helyen tárolták, a mechanikai alkatrészeknek, illetve a hangszóróban lévő csillapító folyadéknak időre van szüksége, hogy a megfelelő mechanikai jellemzőit visszanyerje. Ez az időszükséglet függ az üzembe helyezést megelőző tárolási feltételektől, és a használat módjától. Általában a hőmérsékleti jellemzők maximum egy hét alatt stabilizálódnak, a mechanikai jellemzők kb. 15 óra átlagos használat után érik el optimális értékeiket.

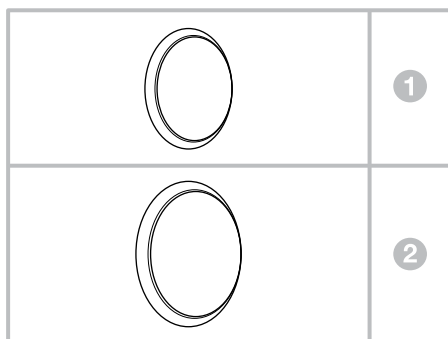
5. Ápolás

A termék felülete időnként portalaníttatást igényel. Javasoljuk, hogy használja a mellékelt tisztítókendőt. Ha szeretne aerosolos vagy más tisztítószerrel használni, a rongyra fújja rá először, majd tesztelje azt egy kis felületen, mert előfordulhat, hogy néhány tisztítószer károsítja a hangdoboz felületét. Óvja a terméket csiszoló hatású, savas, lúgos vagy antibakteriális anyagokat tartalmazó szerektől. Ne használjon tisztítószerket a hangszórók takarításához, mert az kárt okozhat a hangszóróknak.

Amikor a Bowers & Wilkins hangfalait valódi fafurnér bevonattal látjuk el, a lehető legjobb minőségű anyagokat használjuk, és UV fénynek ellenálló lakkbevonattal látjuk el, minimalizálva a furnér elszíneződését. Ennek ellenére, mint minden természetes anyag a környezettől függően megváltozik és a furnér színe idővel enyhén megváltozik. A színkülönbségek kiegyenlíthetőek úgy hogy a hangszugárzót lehetőleg mindenhol hasonló napsugárzásnak tesszük ki. Ezen folyamat néhány napig vagy akár hetekig is eltarthat. A folyamat gyorsítható UV lámpa óvatos használatával. A fa felületek tartsuk távol a direkt hőszugárzástól, például radiátor és meleg levegőt kibocsájtó szellőzéstől, minimalizálva a furnér berepedezésének az esélyét.

A magassugárzó házának texturált bevonata van, amely felszínes nyomokat gyűjthet. Ezek a nyomok eltüntethetőek a mellékelt törölkendő segítségével, mellyel a magassugárzó háza körül, a felületi bevonat irányával egy vonalban törölje le a nyomokat.

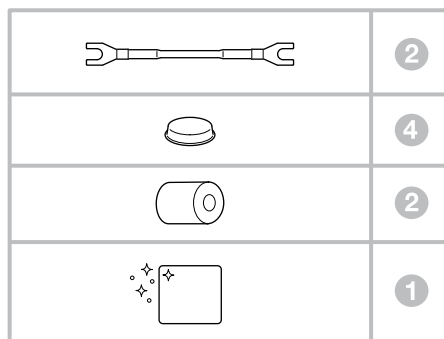
1. Rozpakowanie

**Zawartość opakowania**

- 1 Maskownica głośnika średnio-tonowego
- 2 Maskownice głośnika nisko-tonowego
- 2 Zworki do gniazd zwrotnicy
- 4 Podkładki samoprzylepne
- 2 Zatykaczki bass-reflexu
- 1 Ściereczką do czyszczenia

Kolumny głośnikowe HTM81 D4 i HTM82 D4 są bardzo ciężkie i zdecydowanie radzimy, aby rozpakować kolumny w tym samym pomieszczeniu, w którym mają być użytkowane i robić to w dwie osoby. Dobrym pomysłem jest również usunięcie z rąk i dłoni jakiegokolwiek biżuterii, która mogłaby porysować powierzchnię kolumn podczas rozpakowywania.

Tabela powyżej ilustruje komponenty które są w zestawie z HTM81 D4 i HTM82 D4. W przypadku braku jakichkolwiek komponentów proszę skontaktować się ze sprzedawcą sprzętu.



Maskownice są przymocowane do kolumn na magnes. Cięższa maskownica (na głośniki średnio i niskotonowe) jest spakowana w osobnej przegródce, aby zapobiec przesuwaniu się w trakcie transportu.

Uwaga: Należy zachować ostrożność podczas montażu lub demontażu maskownic przymocowanych magnetycznie, aby uniknąć zarysowania produktu. Maskownice mogą pozostawić ślad zarysowania na głośniku lub podstawie w przypadku ich upuszczenia; możesz to złagodzić poprzez zakrycie cokołu podczas montażu lub demontażu maskownic.

Membrany głośników wysokotonowych są bardzo delikatne i łatwo je uszkodzić. Do kolumn serii 800 dołączamy stalową maskownicę, która chroni głośnik od różnego rodzaju uszkodzeń. Mimo to powinno się zawsze zachować ostrożność podczas przenoszenia i czyszczenia głośników.

Ochrona środowiska

Wszystkie produkty firmy Bowers & Wilkins są zaprojektowane zgodnie z:

- i. międzynarodową dyrektywą dotyczącą substancji niebezpiecznych (RoHS) w urządzeniach elektrycznych i elektronicznych
- ii. międzynarodową dyrektywą dotyczącą substancji chemicznych REACH
- iii. dyrektywą dotyczącą likwidacji sprzętu elektrycznego i elektronicznego (WEEE).

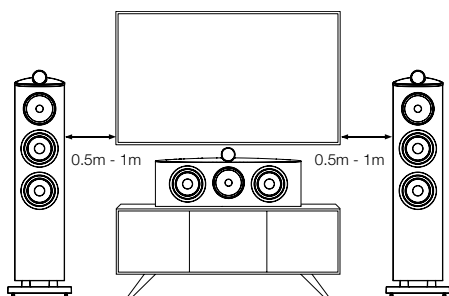
Skontaktuj się z regionalną władzą do spraw likwidacji odpadów w celu uzyskania szczegółów.

Głośnik wysokotonowy w z serii 800 Diamond to element odsprężnięty, który jest mechanicznie odizolowany od głównej części obudowy. W związku z tym może wydawać się, że jest luźny po pierwszym wyjęciu produktu z opakowania. To nie jest usterka, jest to nieodłączna cecha konstrukcji i zapewnia optymalną wydajność głośnika.

Jeśli zespół głośnika wysokotonowego przesunął się podczas transportu i wymaga regulacji, można go lekko przesunąć do przodu lub tyłu, aby zapewnić, że tył korpusu głośnika wysokotonowego jest wyrównany z tylną częścią obudowy głośnika. Zespół głośnika wysokotonowego można również nieznacznie obrócić, aby logo Bowers & Wilkins było ustawione pionowo. Nie wciskaj głośnika wysokotonowego na siłę poza miękkie ograniczniki podczas dokonywania tych regulacji.

Uwaga: Należy uważać, aby nie uszkodzić zespołu odsprężającego podczas dokonywania tych regulacji - w razie wątpliwości dotyczących regulacji zespołu głośnika wysokotonowego należy zwrócić się o pomoc do sprzedawcy.

2. Pozycjonowanie



Instalacja Głośnika

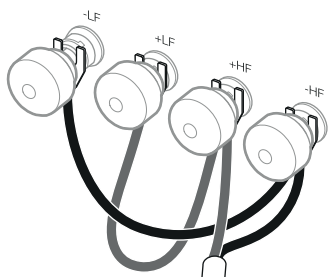
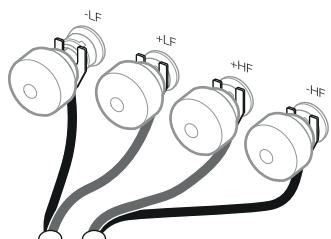
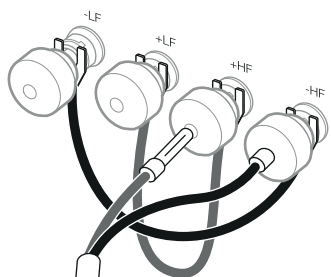
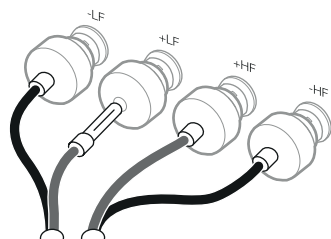
W przypadku korzystania z akustycznie przezroczystych ekranów projekcyjnych, ustaw głośnik HTM81 D4 lub HTM82 D4 dokładnie za środkiem ekranu. W innym przypadku ustaw go bezpośrednio poniżej lub powyżej ekranu używając podstawek, mebli lub półek. Upewnij się, że głośnik znajduje się na wysokości uszu.

Jeśli używasz podstawek, polecamy model FS-HTM D4. FS-HTM D4 jest regulowaną podstawką na głośnik centralny, która umożliwia pochylenie HTM81 D4 lub HTM82 D4 o 4 lub 8 stopni. Zasięg pochylecia ułatwia ustawienie głośnika na wysokość Twoich uszu, kiedy siedzisz. Zamontowanie podstawki zgodnie z instrukcją jest ważne zarówno dla bezpieczeństwa, jak i jakości odsłuchu.

Jeśli chcesz ustawić głośnik na półce lub meblach polecamy używanie piankowych wkładek (w zestawie), które optymalizują wydajność portu basowego (patrz Rozdział 4: Strojenie końcowe).

Uwaga: Jeżeli używasz półki upewnij się że jest wystarczająco wytrzymała aby właściwie podtrzymać głośnik i przyklej 4 samoprzylepne podkładki do spodu głośnika.

3. Podłączenie



Ważna uwaga dotycząca bezpieczeństwa

Wszystkie połączenia należy wykonywać przy wyłączonym sprzęcie audio. Podczas używania sprzętu audio w normalnych warunkach dotykanie niez izolowanych zacisków głośnikowych lub przewodów może spowodować nieprzyjemne doznania.

Gniazda podłączeniowe kolumn głośnikowych HTM81 D4 i HTM82 D4 akceptują różne rodzaje wtyków: wtyki bananowe 4 mm, widełki 6 i 8 mm, gołe kable do 4 mm średnicy.



Ważna informacja dotycząca bezpieczeństwa

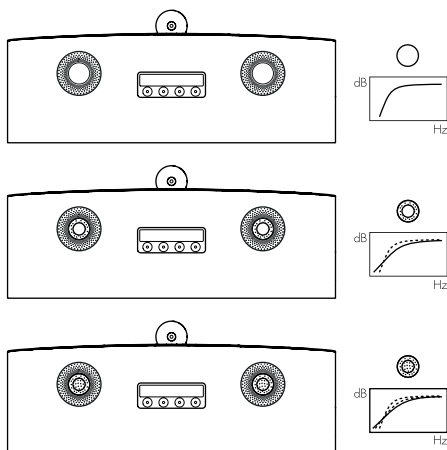
W niektórych krajach, szczególnie europejskich, używanie wtyków bananowych 4mm jest uznawane za niebezpieczne z uwagi na to, że mogą być wsadzone do gniazda ściennego. W celu spełnienia norm bezpieczeństwa CENELEC otwory 4mm na końcu gniazd są zatkane plastikowymi zatyczkami. Jeśli mieszkasz w jednym z krajów, których dotyczą powyższe regulacje upewnij się, że wtyki bananowe nie będą użyte w sposób niebezpieczny przez dzieci lub inne osoby. Zaślepki plastikowe mogą zostać usunięte, jeżeli zechcesz użyć wtyków bananowych.

Zapytaj sprzedawcę, aby doradził Ci w sprawie kupna przewodu głośnikowego. Pamiętaj, aby impedancja kabla była niższa niż maksymalna dopuszczalna w specyfikacji kolumny i używaj kabli niski indukcyjnych, by uniknąć niebezpieczeństwa falowania wysokich częstotliwości.

Na tylnym panelu każdej z kolumn są 2 pary gniazd podłączeniowych, które umożliwiają podłączenie typu bi-wire (rysunek powyżej). W przypadku konwencjonalnego podłączenia typu single wire dopasuj przewody do gniazd według polaryzacji.

Upewnij się, że gniazda połączeniowe z czerwonym obramowaniem zostały połączone z gniazdami o dodatniej polaryzacji na wzmacniaczu a gniazda z czarnym obramowaniem z gniazdami o ujemnej polaryzacji na wzmacniaczu. Nieprawidłowe podłączenie będzie skutkowało pogorszeniem jakości dźwięku i utratą niskich tonów. Zawsze dokręcaj główki gniazd do końca, aby uniknąć zniekształceń dźwięku.

4. Strojenie końcowe



Przed dostrajaniem upewnij się, że wszystkie podłączenia są wykonane prawidłowo.

Odsunięcie kolumn od ściany zredukuje ogólny poziom niskich tonów. Przestrzeń za kolumnami pozwoli również na wytworzenie odpowiedniej głębi dźwięku. Przesunięcie kolumn bliżej ściany spowoduje efekt odwrotny: wzrośnie poziom basu a poczucie głębi dźwięku zostanie zredukowane. Jeśli chcesz zmniejszyć poziom niskich dźwięków bez konieczności odsuwania kolumn od ściany do portów basowych kolumn wetknij piankowe zatyczki lub dla mniejszej redukcji basów zewnętrzne pierścienie zatyczek. Montaż gąbek i pierścieni zilustrowano na powyższym rysunku. Zanim zainstalujesz piankowe zatyczki / pierścienie w obu portach, spróbuj najpierw ocenić ich wpływ montażu tylko w jednym z portów.

Jeśli niskie tony powodują problem z częstotliwością zwykle spowodowane jest to rezonansem wynikającym z ukształtowania pomieszczenia. Nawet minimalne zmiany ustawienia kolumn lub zmiany miejsca odsłuchu mogą mieć dobry wpływ na te zakłócenia. Spróbuj ustawić kolumny w różnych miejscach. Zmiana położenia większych mebli również może przynieść efekt.

Jeśli środkowi sceny dźwiękowej brakuje detali postaraj się przybliżyć kolumny do siebie lub skierować je pod kątem do pozycji odsłuchowej.

Jeśli dźwięk jest zbyt „jasny” zwiększenie ilości miękkich elementów wystroju (np. cięższych zasłon) może pomóc zbalansować dźwięk. Odwrotnie, zmniejszenie ilości miękkich elementów spowoduje rozjaśnienie dźwięku.

Dla najlepszego odsłuchu możesz również spróbować zdjąć maskownice z głośników nisko i średniotonowych delikatnie chwytając za maskownice i odcepiając je od kolumny.

Działanie kolumn może delikatnie zmieniać się w początkowym okresie użytkowania. Jeśli kolumny były przechowywane w chłodnym miejscu, niektóre komponenty będą potrzebowały czasu, aby nabrać odpowiednich właściwości mechanicznych. Zawieszenie głośników również delikatnie się zmieni w ciągu pierwszych godzin użytkowania. Czas, jakiego potrzebuje kolumna na osiągnięcie optimum swoich możliwości będzie się różnił w zależności od sposobu przechowywania kolumn przed zakupem i sposobie użytkowania. Zwykle trwa to około tygodnia, aby ustabilizowały się czynniki temperaturowe i 15 godzin użytkowania, aby części mechaniczne osiągnęły swoje charakterystyki.

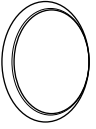
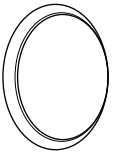
5. Pielęgnacja

Obudowa kolumn zazwyczaj wymaga tylko usunięcia kurzu. Zalecamy użycie ściereczki dołączonej do produktu. Jeśli chcesz użyć aerozolu lub innego środka czyszczącego, rozpyl aerozol na szmatkę, a nie bezpośrednio na produkt. Najpierw sprawdź na małej powierzchni, czy środek czyszczący nie niszczy podłoża. Unikaj materiałów szorstkich i takich, które zawierają kwas, są zasadowe lub antybakteryjne. Nie stosuj środków czyszczących na głośniki. Unikaj dotykania głośników.

W celu uniknięcia ryzyka uszkodzenia powierzchni, trzymaj produkt z dala od źródeł ciepła takich jak kaloryfery lub wentylatory gorącego powietrza. Za każdym razem, gdy wykończenie głośników Bowers & Wilkins jest drewniane, wybierane są najlepsze materiały, pokrywane następnie lakierem odpornym na promieniowanie ultrafioletowe, co pozwala minimalizować zmiany koloru powstałe z biegiem czasu. Jakkolwiek, podobnie jak w przypadku wszystkich materiałów naturalnych, środowisko zewnętrzne ma wpływ na wykończenie kolumn i należy spodziewać się stopniowej zmiany koloru. Efekty takich zmian mogą być szczególnie widoczne w miejscach, które podlegają przekształceniom wolniej, takich jak obszary przykryte przez maskownicę lub pozostające w cieniu. Różnice w kolorach mogą być skorygowane poprzez wystawienie w równym stopniu wszystkich powierzchni obudowy na działanie promieni słonecznych, aż do momentu gdy kolor jest jednolity. Proces ten może zająć kilka dni lub nawet tygodni, ale może również zostać przyspieszony poprzez ostrożne zastosowanie lampy ultrafioletowej.

Obudowa głośnika wysokotonowego ma teksturowaną wykończenie powierzchni, na której podczas obsługi mogą zbierać się powierzchniowe ślady i należy ją czyścić, przecierając dostarczoną ściereczką do czyszczenia wokół obudowy, zgodnie z teksturą powierzchni.

1. Ambalajından çıkarma

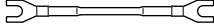



	1
	2

Karton Kutu İçeriği

- 1 adet orta frekans ızgarası
- 2 adet bas ızgarası
- 2 adet bağlantı kablosu
- 4 adet kendinden yapışkanlı plastik ped
- 2 adet iki parçalı köpük tıpa
- 1 adet temizlik bezi

HTM81 D4 ve HTM82 D4 çok ağır ve dolayısıyla kullanılacakları odada bir arada çalışan iki kişi tarafından paketlerinden çıkartılmasını önemle tavsiye ederiz. Aynı zamanda üzerinizde olabilecek herhangi bir takımın da hoparlörlerin yüzeylerini çizmemeleri açısından çıkartılmalarını tavsiye ederiz.

Yukarıdaki tablo HTM81 D4 ve HTM82 D4 ile kutulanmış diğer parçaları da göstermektedir. Çok muhtemel olmasa da herhangi bir parçanın eksik olması durumunda lütfen hoparlörünüzü satın aldığınız satıcı ile temasa geçiniz.

	2
	4
	2
	1

Daha ağır olan bas/midrange grilleri miknatıslıdır ve taşıma sırasında hareket etmelerini önlemek amaçlı farklı bir bölmede paketlenmişlerdir.

Not: Üründe iz oluşmasının önlenmesi için manyetik olarak takılmış hoparlör ızgaraları takılırken veya çıkarılırken dikkatli olunması gerekir. ızgaralar düştüğü takdirde hoparlör / stand kaidesi üzerinde iz bırakacaktır; ızgaraları takarken veya çıkarırken kaidenin üzerini örterek bu ihtimali azaltabilirsiniz.

Tweeter diaframları çok hassastırlar ve kolaylıkla zarar görebilirler. 800 Diamond Serisi ile tweeterinizi farklı zararlardan koruyabilmek için sizlere çelik gril ağı veriyoruz. Ancak yine de hoparlörünüzü elleyip temizlerken dikkatli olunması gerekir.

Çevresel Bilgi

Bu ürün, aşağıdakiler dahil olmak üzere, ama bunlarla sınırlı kalmayacak şekilde uluslararası yönetmeliklere uygundur:

- i. Elektrikli ve elektronik donanımda tehlikeli maddelerin kısıtlanması (RoHS),
- ii. Kimyasal maddelerin kayıt, değerlendirme, yetkilendirme ve kısıtlanması (REACH)
- iii. Atık haldeki elektrikli ve elektronik donanımın imha edilmesi (WEEE).

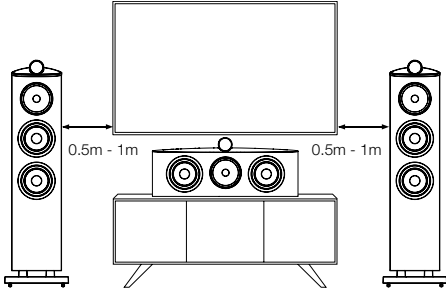
Bu ürünün uygun şekilde nasıl geri dönüşüm işlemine tabi tutulacağı veya imha edileceği konusunda bilgi almak için yerel atık imha yetkilinize danışınız.

Bu 800 Serisi Diamond hoparlördeki tweeter takımı kabinin ana parçasından mekanik olarak izole edilmiş ayrı bir aksamdır. Bu nedenle ürün ambalajından ilk kez çıkarılırken bu sanki gevşek bir parçaymış gibi görünebilir. Bu bir kusur değildir; bu tasarımın kendine özgü bir özelliği olup, hoparlörünüzden en iyi performansı almanızı sağlar.

Tiz hoparlör grubu taşıma sırasında bir miktar oynamışsa ve ayarlanması gerekiyorsa, çok hafif bir şekilde ileri geri oynatılarak tiz hoparlör gövdesinin arka kısmının hoparlör kabininin arka kısmıyla hizalanması sağlanabilir. Ayrıca, tiz hoparlör grubu çok hafif bir şekilde döndürülerek Bowers & Wilkins logosunun dik konumlanması sağlanabilir. Bu ayarlamaları yaparken tiz hoparlörünü yumuşak uç noktalarından öteye kadar hareket ettirmeyin.

Not: Bu ayarlamaları yaparken ayırmalı gruba zarar vermeye dikkat edin. Tiz hoparlör grubunu ayarlarken herhangi bir şüphe içinde kalırsanız lütfen ürün satıcısına başvurun.

2. Konumlandırma



Hoparlör Kurulumu

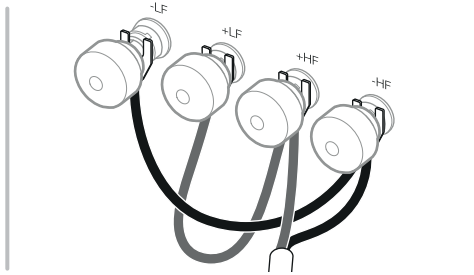
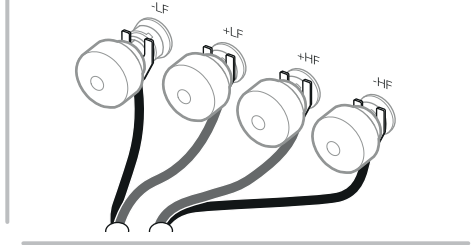
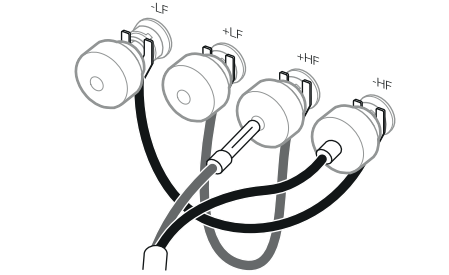
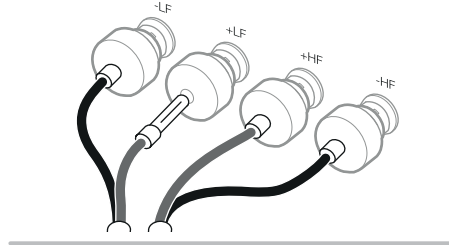
Akustik olarak şeffaf bir ekranı olan projeksiyon televizyonu kullanılıyorsa ise HTM81 D4 veya HTM82 D4'ünüzü ekranın ortasının arkasına konumlandırmalısınız. Aksi takdirde, yer standı, mobilya ünitesi veya duvar rafı kullanarak ekranın ya tam altına veya tam üzerine pozisyonlandırın ki hoparlör mümkün olduğunca kulak seviyenize yakın olsun.

Eğer yer standı kullanılıyorsa ise FS-HTM D4 kullanımını tavsiye ederiz. FS-HTM D4 ayarlanabilir bir orta hoparlör standı olduğundan hem HTM81 D4 hem de HTM82 D4'ün 4 – 8 derece arası eğilmesini sağlar. Bu ayarlamaların sayesinde oturduğunuzda hoparlörün size yönelmesini daha kolay bir hale getirir. Hem güvenlik hem de performans açısından yer standı kurulumu yönergelerine uyulması önemlidir.

Eğer duvar rafı veya mobilya ünitesi kullanılıyorsa, port performansını en iyi seviyeye getirebilmek için temin edilen olan sünger insertlerin kullanılması tavsiye edilir. (bkz. 4. Bölüm: İnce Ayar ve Rodaj).

Not: Eğer raf kullanılıyorsa hem ağırlığı taşıyacak güçte olduğundan hem de hoparlörün alt yüzeyindeki 4 adet kendinden yapışkanlı plastik ayağın sigacağından emin olun.

3. Bağlantılar



Önemli Güvenlik Uyarısı

Tüm bağlantıların ses ekipmanı kapalıyken yapılması gerekir. Ses ekipmanı normal kullanımdayken yalıtımsız hoparlör bağlantı uçlarına veya kablolarla dokunmak rahatsız edici bir hisse sebep olabilir.

HTM81 D4 ve HTM82 D4 hoparlör terminalleri, çeşitli kablo bağlantı uçlarına uygundur: 4 mm'lik tekli fiş, 6 mm'lik ve 8 mm'lik (1/4 inç ve 5/16 inç) tırnak veya 4 mm (5/32 inç) çapa kadar çiplak tel.

Önemli Güvenlik Notu

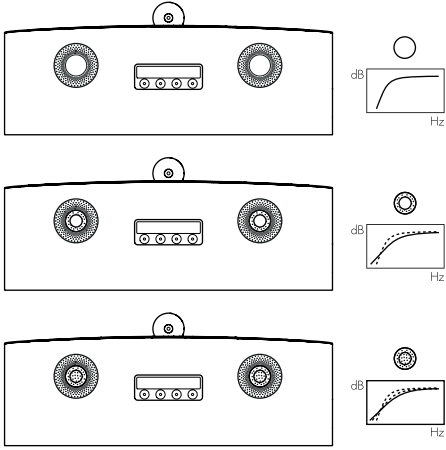
Bazı ülkelerde, özellikle Avrupa ülkelerinde, 4 mm'lik tekli fiş kullanımı potansiyel bir güvenlik tehlikesi olarak görülmektedir, çünkü bu fişler kesintisiz ana şebeke soketlerindeki deliklere sokulabilmektedir. Avrupa Elektroteknik Standartlar Komitesi (CENELEC) güvenlik tüzüğüne uygunluk açısından terminallerin sonunda yer alan 4 mm'lik delikler plastik pinlerle kapatılmıştır. Eğer ürünü bu koşulların yürürlükte olduğu ülkelerden birinde kullanıyorsanız, tekli fişlerin çocuklar ve bilgisiz kişiler tarafından emniyetsiz şekilde kullanılmadığından emin olun. Tekli konektör fişleri kullanmak istiyorsanız plastik pimleri çıkarabilirsiniz.

Kullanacağınız hoparlör kablosunu seçerken satıcınıza danışın. Toplam empedansın hoparlörün teknik şartnamesinde tavsiye edilenden daha aşağıda olmasına özen gösterin ve yüksek frekansların zayıflamasını önlemek için düşük endüktans kablosu kullanın.

Her bir hoparlörün arkasında, çift kablama imkanı sağlayan iki çift terminal yer almaktadır (sol üstte). Tekli kablo bağlantısı için ürün ile birlikte verilen bağlantı kablolarını benzer kutup terminallerini birleştirmek için yerleştirin. İki-kablolu bağlantı, alçak seviyedeki ayrıntıların çözünürlüğünü artırabilir.

Hoparlördeki pozitif terminallerin (kırmızı renkli) amplifikatördeki pozitif çıkış terminallerine ve negatif terminallerin (siyah renkli) her zaman amplifikatördeki negatif çıkış terminallerine bağlı olduğundan emin olun. Yanlış bağlantı durumu, kötü imgelemeye ve bas seslerde kayıp yaşanmasına yol açabilir. Takırdamaları önlemek için daima terminal kapaklarını vidalayın.

4. İnce Ayar ve Rodaj



İnce ayar yapmadan önce, kurulumdaki tüm bağlantıların doğru yapıldığından ve bunların emniyetli olduğundan emin olun.

Hoparlörleri duvardan uzaklaştırmak, genellikle bas ses seviyesini düşürecektir. Hoparlörlerin arkasındaki boşluk, ayrıca işitsel derinlik etkisi yaratmaya yardımcı olacaktır. Tam tersine, hoparlörleri duvara yaklaştırmak, bas ses seviyesini artıracaktır. Sünger tıplarının / halkaların her iki giriş yerine takılmasının etkisini değerlendirmeden önce sünger tıpanın / halkanın giriş yerlerinden birine takılmasının etkisini değerlendirmeye çalışın.

Eğer bas ses, frekans ile eşit değil gibi duruyorsa, bu durum muhtemelen dinleme odanızın akustik özelliklerinin bir sonucudur. Hoparlörlerdeki veya dinleme pozisyonundaki küçük değişiklikler bile, bu rezonansların sesi derinden etkilemesine yol açabilir. Dinleme pozisyonunuzu değiştirmeyi veya hoparlörlerinizi başka bir duvarın yanına yerleştirmeyi deneyin. Büyük hacimli mobilyaların mevcudiyeti ve konumu da rezonans modlarını etkileyebilir.

Eğer merkezi imaj odaktan yoksun ise, hoparlörleri yakınlaştırmayı veya hoparlörlere, dinleme pozisyonunun hemen önünde bir konuma gelecek şekilde içe doğru açı vermeyi deneyin.

Eğer ses çok parlaksa, odanın içindeki yumuşak mobilyaların (örneğin ağır perdeler) miktarını artırmak, sesi dengelemenize yardım edecektir. Bunun tam tersi olarak, odanın içinde yer alan yumuşak mobilyaların miktarını azaltmak da donuk bir sesin oluşmasına neden olacaktır.

En etkili dinleme olanağı için, bas/orta aralık ızgaralarını kenarlarından tutarak ve hafifçe kabinden dışarı doğru çekerek çıkartın.

Hoparlörün performansı, ilk kurulum sırasında aldattıcı şekilde değişiklik gösterebilir. Eğer hoparlör soğuk bir ortamda muhafaza edildiye, sürücü ünitelerinin sönmürlenme bileşenlerinin ve süspansiyon malzemelerinin mekanik özelliklerini tam olarak geri kazanması için biraz zaman geçmesi gerekecektir. Ayrıca, sürücü ünitesi süspansiyonu, ilk kullanım saatleri boyunca gevşeyecektir. Hoparlörün istenilen çalışma performansına ulaştırılması için geçecek süre, önceki depolama koşullarına ve nasıl kullanıldığına bağlı olarak değişkenlik gösterir. Kural olarak, sıcaklık etkilerinin stabilize olması için ürüne bir hafta zaman tanıyın ve mekanik parçaların istenilen tasarım özelliklerine erişmesi için ortalama 15 saatlik bir kullanım süresinin geçmesini bekleyin.

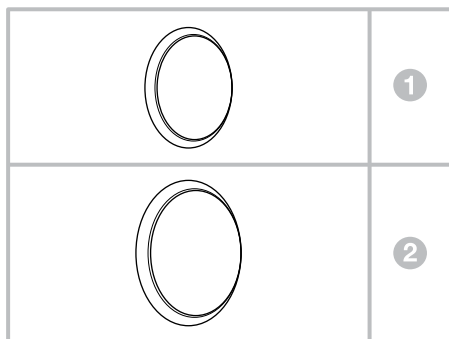
5. Sonraki Bakım

Kabin yüzeyinin bakımını yapmak için çoğunlukla sadece tozunu almak yeterlidir. Bunun için ürün ile birlikte verilen bezi kullanmanızı tavsiye ederiz. Eğer aerosol veya başka bir temizlik maddesi kullanmak isterseniz, temizlik maddesini bezin üstüne dökün, direkt olarak ürünün üstüne dökmeyin ve bazı temizlik malzemelerinin bazı yüzeylere zarar verebileceğini göz önüne alarak önce küçük bir alan üzerinde deneme yapın. Aşındırıcı veya asit, alkali ya da antibakteriyel ajanlar içeren malzemeler kullanmaktan kaçının. Sürücü ünitelerinde kesinlikle temizlik ajanları kullanmayın. Sürücü üniteleri zarara görebileceği için ünitelere dokunmaktan kaçının.

Bowers & Wilkins hoparlörlerinde gerçek ahşap kullanıldığında cilalar seçilir ve zaman içerisinde renk değişimine uğramaları için ultra viyole ışınlarla dayanıklı lake ile işleme konulur. Fakat yine de tüm diğer doğal malzemeler gibi, bu cila da çevresine tepki verir ve bir miktar renk değişimi beklenmelidir. Renk farklılıkları tüm yüzeyleri eşit miktarda güneş ışığına maruz bırakarak azaltılabilir. Bu işlem birkaç gün hatta hafta sürebilir fakat dikkatlice bir ultra-viyole lamba kullanılarak hızlandırılabilir. Ahşap cilalı yüzeyler çatlamayı önlemek için kaloriferler gibi çok sıcak ısı vericilerde uzak tutulmalıdır.

Tiz hoparlör muhafazası, ellendiği zaman yüzey izleri bırakabilen dokulu bir yüzey kaplamasına sahiptir ve ürünle birlikte verilen temizlik bezi kullanılarak muhafaza yüzeyine uygun bir şekilde silinmelidir.

1. 开箱

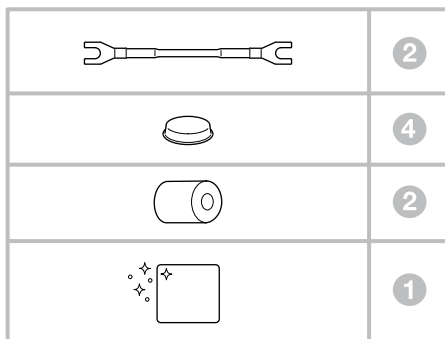


包装箱内的物品

1个中音格栅
2个低音格栅
2根端子连接线
4个自粘塑胶垫
2个两部分组成的泡棉塞
1块清洁布

HTM81 D4和HTM82 D4有一定的重量，我们强烈建议在房间内由二人一起合力完成。作为谨慎的预防措施，也请阁下取下佩戴的首饰，以免刮伤扬声器表面的外饰。

上表列出了HTM81 D4和HTM82 D4随附的组件。如发现缺少任何组件，请先与购买扬声器的经销商联系。



所有面网都通过磁力吸附。较重的中低音面网放置在单独的隔间中，以防止运输过程中发生移动。

注意：安装或拆卸磁力格栅时必须小心，避免在产品上留下印痕。如果掉落，格栅将在扬声器/支架底座上留下印痕；您可以在安装或卸下格栅时遮盖底座来减轻这种情况。

高音振膜极为精致，很容易损坏。于800钻石系列中，我们配备了一个钢制网罩，以防止高音单元受到任何形式的损害。然而，当阁下处理和清洁扬声器时，仍需小心谨慎。

环保信息

本产品符合国际指令，包括但不限于：

- i. 有关电机和电子设备的有害物质禁用指令 (RoHS)
- ii. 化学品注册、评估、许可和限制 (REACH)
- iii. 废电机电子设备指令处理规定 (WEEE)

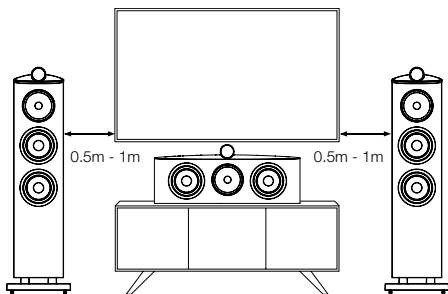
请咨询阁下当地的废弃物处理局，了解有关如何正确回收或处理本产品的指导。

800 Series Diamond 扬声器系列的高音组件是一个退耦的组件，意味着它是物理上地从箱体的主体部分分离。因此，当产品首次从包装箱取出时，它可能会出现松动。这不是一个错误：这是设计的一个固有特性，确保您的扬声器发挥出最佳性能。

在运输途中，如高音单元部件有些许移动，须调整位置，可以非常轻微地向前或向后挪动，确保高音单元主体的后部与扬声器箱体的后部对齐。也可以稍稍转动高音单元，确保Bowers & Wilkins标志保持垂直。调整时，不得强行让高音单元的位置超过软挡板。

注：在调整位置时，请小心操作，切勿损坏退耦部件，如在调整高音单元总成时存有任何疑问，请咨询经销商，寻求帮助。

2. 摆放位置



扬声器安装

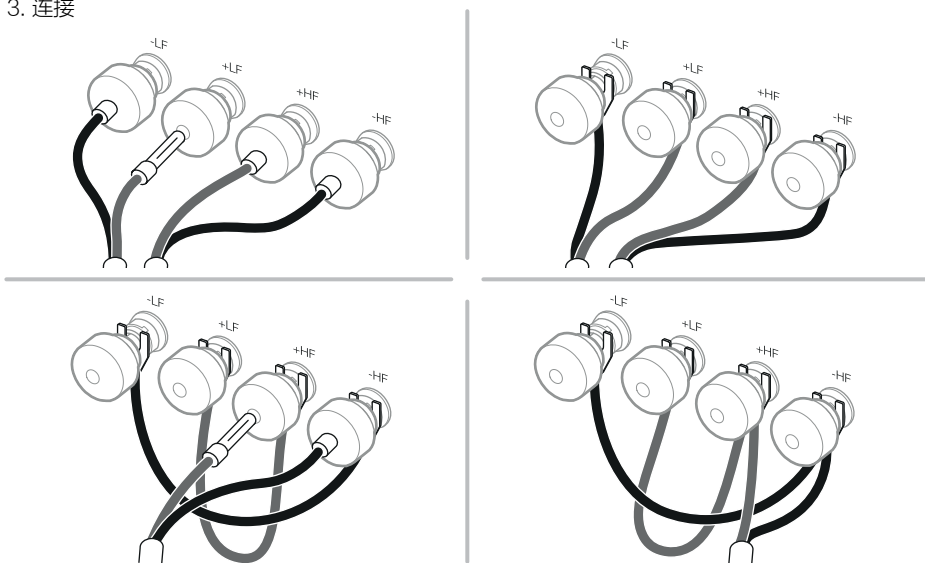
如果使用配有透声屏幕的投影电视机，请将 HTM81 D4或HTM82 D4扬声器放置在屏幕中间的后面。也可将其直接放置在屏幕下方，或使用座地架、家具或墙壁支架将其放置在屏幕上方。确保扬声器尽可能接近耳朵的高度。

如需使用座地架，我们建议使用FS-HTM D4。FS-HTM D4是一个可调节的中置扬声器座架，允许 HTM81 D4或HTM82 D4倾斜4° 或8°。这个范围的调整让你较容易把扬声器‘朝向’你坐下时的耳朵水平。为了保证安全和性能，请务必遵循座地架的组装指导。

如使用墙壁支架或家具时，我们建议使用随附的泡棉塞，以优化导孔的性能（见第4节：微调 and 磨合）。

注：如放在书架上，请确保书架结实，足以支持扬声器重量，并将4个自粘塑胶垫放置在扬声器底部。

3. 连接



重要安全提示

所有连接应在关闭音频设备的情况下进行。当音频设备正常运行时，接触未绝缘的扬声器端子或接线可能会造成损坏。

HTM81 D4和HTM82 D4扬声器的插座适用于多种接线头：4毫米香蕉插、6毫米和8毫米(1/4英寸和 5/16英寸)的铲形接头或直径在4毫米(5/32英寸)以内的裸线。



重要安全指示

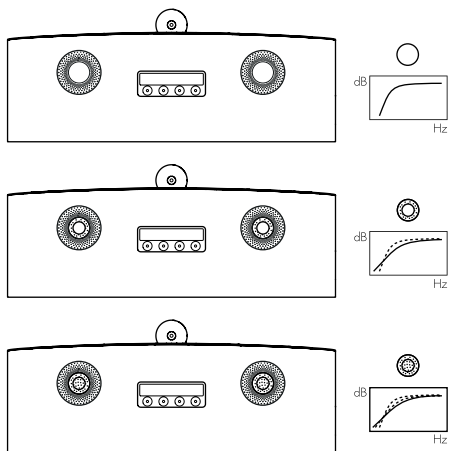
在某些国家，尤其是欧洲国家，使用4毫米香蕉插被认为具有安全危险，因为它们可以用于插入无遮蔽的电源插座。为了遵从欧洲电工标准化委员会CENELEC的安全规定，接线端上的4毫米孔由塑料插脚封闭。如果阁下在任何执行这种规定的国家内使用这些产品，请确保儿童或其他不知情人士勿以危险的方式使用香蕉插。如要使用香蕉插头，拔掉塑料销即可。

在选择扬声器接线时，请向经销商咨询。总电阻抗应低于扬声器规格中所建议的最大值，并使用低电感的接线，以避免高频减弱。

每台扬声器的背部均有两对插座，可用于双线连接(上)。对于传统的单线连接，使用随附的接线与同极性的插座相连。

连接时请确保将扬声器的正极端(配有红色环)连接到放大器的正极输出端，而且扬声器的负极端(配有黑色环)保持连接到放大器的负极输出端。错误连接虽然不会造成损坏，但会导致劣质立体声像效果及损失低音。请务必将插座盖锁紧以避免嘎嘎作响。

4. 微调 and 磨合



在微调前，确保安装中的所有连接正确且安全。

一般来说，把扬声器移离墙壁可降低低音。扬声器后的空间会帮助创造出一种听觉上的深度感。相反，把扬声器移近墙壁则可增加低音。如果你希望减少低音而不把扬声器移离墙壁，可使用泡棉塞或泡棉环，来达到减低强烈的低音（见上图）。在评估在两个端口安装泡棉塞/泡棉环的影响之前，请先尝试评估将泡棉塞/泡棉环安装到其中一个端口的影响。

如果低音的频率不均衡，这很可能是由于试听室里的谐振模式引起的。即使扬声器或试听的位置很小的改变都可以使谐振对声音的效果产生很深的影响。设法移动试听的位置或者将扬声器放在不同的墙旁边。大件家具的存在及其位置也会影响谐振模式。

假如中心图像缺少焦点，可试着将扬声器彼此离得更近或者使其向内成一个角度，这样它们就可以正对着试听的位置。

如果音质太过明快，则在房间内增加软性的陈设品（如较重的窗帘）可以帮助平衡音质。相反，在房间内减少软性的陈设品可以使迟缓的音质变得明快。

要使声音层次更清晰，请抓住中低音面网的边缘，轻轻向箱体外拉以将其移除。

在初始试听阶段，扬声器的性能会发生细微变化。如果扬声器被安装在较冷的房间内，驱动装置的阻尼复合组件和悬挂材料会需要一些时间来恢复其正确的机械性能。驱动装置的悬挂部分也会在最初使用的几小时内松动。使扬声器达到理想性能状态的时间将因以前的储存条件和使用方法而有所变化。作为使用指引，可以用一周时间来稳定温度的影响，或者用平均使用15小时的时间来使机械部分达到理想的设计性能。

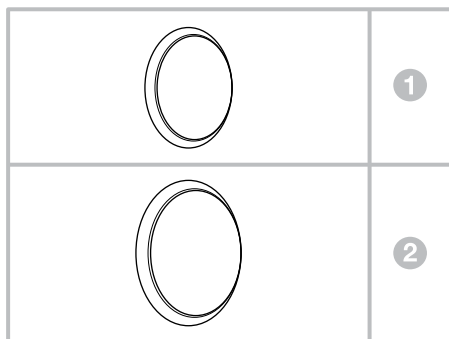
5. 保养

箱体表面通常仅需要除尘。建议阁下使用产品随附的布块。如果想要使用喷雾剂或其它清洁剂，请将清洁剂使用在布块上，不要直接喷到产品上，并先在一小块面积上试用，因为有些清洁产品可能会损坏表面。请勿使用具有腐蚀性，包含酸、碱或抗菌剂的产品。请勿对驱动单元使用清洁剂。请避免触摸驱动单元，因为可能导致损坏。

尽管Bowers & Wilkins扬声器使用真木外饰，其板材均通过精选，并使用耐紫外线漆处理，以减低随时间而产生的颜色变化。然而，就像所有的天然材料一样，表面饰板将受到环境的影响并产生不同程度的颜色变化。可通过将饰板表面同等平均地置于阳光下以修正颜色不一的现象，直到颜色统一。此过程可能需要数天或数星期，但是可通过小心使用紫外线灯来加速此过程。木质饰板表面应远离直接热源，例如，发热器和暖气出风口，以减小木质板材开裂的可能性。

高音单元外壳的表面为纹理饰面，搬运时可能会留下印痕，可使用随附的清洁布擦拭外壳周围，顺着表面纹理清洁。

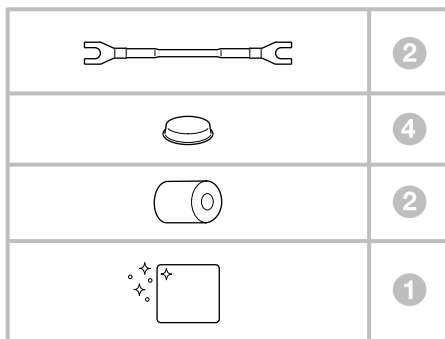
1. 開箱

**包裝箱內的物品**

1個中音網罩
2個低音網罩
2根端子連接線
4個自粘塑料墊
2個兩件式泡棉塞
1塊清潔布

HTM81 D4和HTM82 D4有一定的重量，我們強烈建議在房間內由二人一起合力完成。作為謹慎的預防措施，也請閣下取下佩戴的首飾，以免刮傷揚聲器表面的外飾。

上表列出了HTM81 D4和HTM82 D4隨附的組件。如發現缺少任何組件，請先與購買揚聲器的經銷商聯繫。



所有面網都通過磁力吸附。較重的中低音面網放置在單獨的隔間中，以防止運輸過程中發生移動。

注：安裝或拆卸磁性網罩時，請注意小心操作，避免劃傷揚聲器。網罩掉落可能會劃傷揚聲器/底座；在安裝或拆卸網罩時，可遮蓋底座，避免划痕。

高音振膜極為精緻，很容易損壞。於800鑽石系列中，我們配備了一個鋼制網罩，以防止高音單元受到任何形式的損害。然而，當閣下處理和清潔揚聲器時，仍需小心謹慎。

環保資訊

本產品符合國際指令，包括但不限於：

- i. 有關電機和電子設備的有害物質禁用指令 (RoHS)
- ii. 化學品註冊、評估、許可和限制 (REACH)
- iii. 廢電機電子設備指令處理規定 (WEEE)

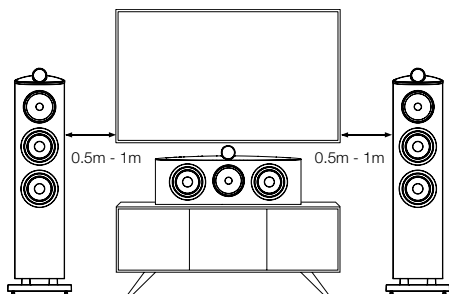
請諮詢閣下當地的廢棄物處理局，瞭解有關如何正確回收或處理本產品的指導。

800鑽石系列揚聲器的高音單元是一個退耦式組件，並與主箱體相分離。因此，首次從包裝箱中取出本產品時，它可能會有些鬆動。但這並不是質量問題，而是設計固有的特性，目的是保證揚聲器能發揮最佳性能。

在搬運過程中，高音單元或會經移動，並需要調整位置；可以稍微向前或向後移動，確保高音單元的後部與揚聲器箱體的後部對齊；也可微微地旋轉高音單元，以便確保 Bowers & Wilkins 品牌標誌垂直。調整時，不得強行讓高音單元的位置超過軟擋板。

注：調整位置時，請務必小心操作，切勿損壞退耦組件，如對調整高音有任何疑問，請諮詢經銷商，尋求幫助。

2. 擺放位置



揚聲器安裝

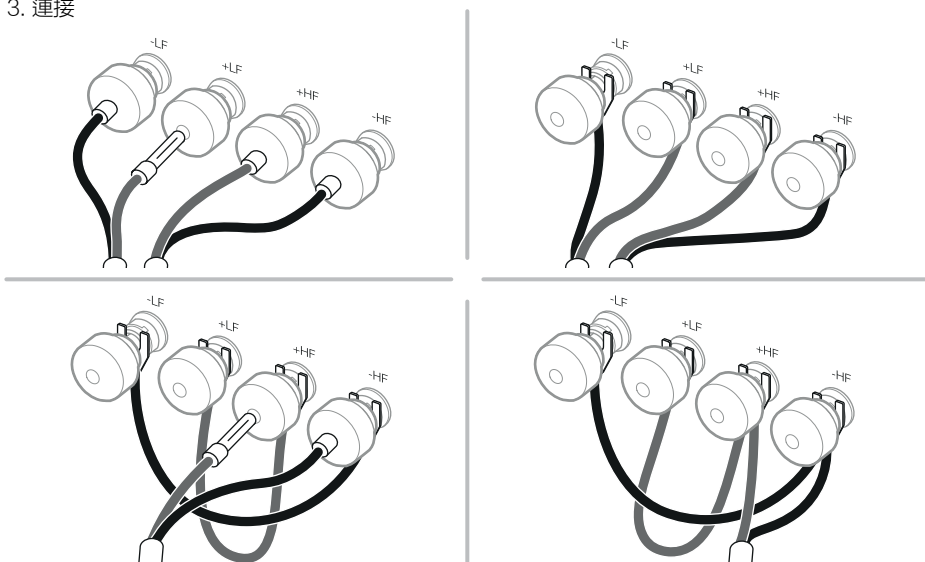
如果使用配有透聲屏幕的投影電視機，請將HTM81 D4或HTM82 D4揚聲器放置在屏幕中間的後面。也可將其直接放置在屏幕下方，或使用座地架、傢俱或牆壁支架將其放置在屏幕上方。確保揚聲器盡可能接近耳朵的高度。

如需使用座地架，我們建議使用FS-HTM D4。FS-HTM D4是一個可調節的中置揚聲器座架，允許HTM81 D4或HTM82 D4傾斜4°或8°。這個範圍的調整讓你較容易把揚聲器'朝向'你坐下時的耳朵水平。為了保證安全和性能，請務必遵循座地架的組裝指導。

如使用牆壁支架或傢俱時，我們建議使用隨附的泡棉塞，以優化導孔的性能（見第4節：調試與暖機）。

注：如放在書架上，請確保書架結實，足以支持揚聲器重量，並將4個自黏塑膠墊放置在揚聲器底部。

3. 連接



重要安全指示

應在關閉音頻設備的情況下完成所有連接工作。如在音頻設備運行時，接觸未絕緣的揚聲器端子或接線可能會造成不適。

HTM81 D4和HTM82 D4揚聲器的插座適用於多種接線頭：4毫米香蕉插、6毫米和8毫米(1/4英寸和5/16英寸)的錘形接頭或直徑在4毫米(5/32英寸)以內的裸線。



重要安全指示

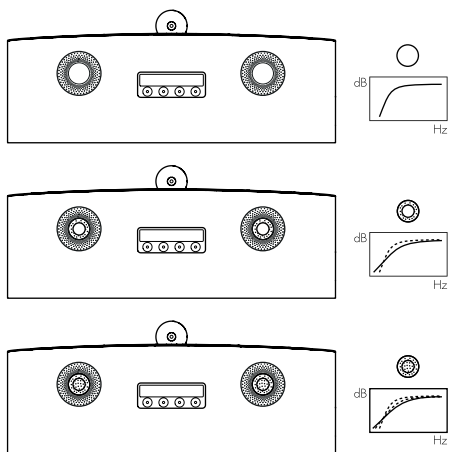
在某些國家，尤其是歐洲國家，使用4毫米香蕉插被認為具有安全危險，因為它們可以用於插入無遮蔽的電源座插孔。為了遵從歐洲電工標準化委員會CENELEC的安全規定，接線端上的4毫米孔由塑膠插腳封閉。如果閣下在任何執行這種規定的國家內使用這些產品，請確保兒童或其他不知情人士勿以危險的方式使用香蕉插。如要使用香蕉插頭，拆下塑料栓即可。

在選擇揚聲器接線時，請向經銷商諮詢。總電阻抗應低於揚聲器規格中所建議的最大值，並使用低電感的接線，以避免高頻減弱。

每台揚聲器的背部均有兩對插座，可用於雙線連接(上)。對於傳統的單線連接，使用隨附的接線與同極性的插座相連。

連接時請確保將揚聲器的正極端(配有紅色環)連接到放大器的正極輸出端，而且揚聲器的負極端(配有黑色環)保持連接到放大器的負極輸出端。錯誤連接雖然不會造成損壞，但會導致劣質立體聲像效果及損失低音。請務必將插座蓋鎖緊以避免嘎嘎作響。

4. 調試及暖機



在微調前，確保安裝中的所有連接正確且安全。

一般來說，把揚聲器移離牆壁可降低低音。揚聲器後的空間會幫助創造出一種聽覺上的深度感。相反，把揚聲器移近牆壁則可增加低音。如果你希望減少低音而不把揚聲器移離牆壁，可使用泡棉塞或泡棉環，來達到減低強烈的低音(見上圖)。先試著評估在一個端口安裝泡棉塞/泡棉環的影響，再評估在兩個端口安裝泡棉塞/泡棉環的影響。

如果低音的頻率不均衡，這很可能是因為試聽室裡的諧振模式引起的。即使揚聲器或試聽的位置很小的改變都可以使諧振對聲音的效果產生很深的影響。設法移動試聽的位置或者將揚聲器放在不同的牆旁邊。大件傢俱的存在及其位置也會影響諧振模式。

假如中心圖像缺少焦點，可試著將揚聲器彼此離得更近或者使其向內成一個角度，這樣它們就可以正對著試聽的位置。

如果音質太過明快，則在房間內增加軟性的陳設品(如較重的窗簾)可以幫助平衡音質。相反，在房間內減少軟性的陳設品可以使遲緩的音質變得明快。

要使聲音層次更清晰，請抓住中低音面網的邊緣，輕輕向箱體外拉以將其移除。

在初始試聽階段，揚聲器的性能會發生細微變化。如果揚聲器被安裝在較冷的房間內，驅動裝置的阻尼複合元件和懸掛材料會需要一些時間來恢復其正確的機械性能。驅動裝置的懸掛部分也會在最初使用的幾小時內鬆動。使揚聲器達到理想性能狀態的時間將因以前的儲存條件和使用方法而有所變化。作為使用指引，可以用一周時間來穩定溫度的影響，或者用平均使用15小時的時間來使機械部分達到理想的設計性能。

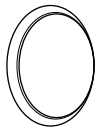
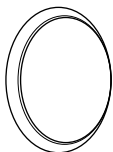
5. 保養

箱體表面通常僅需要除塵。建議閣下使用產品隨附的布塊。如果想要使用噴霧劑或其它清潔劑，請將清潔劑用在布塊上，不要直接噴到產品上，並先在一小塊面積上試用，因為有些清潔產品可能會損壞表面。請勿使用具有磨蝕性，包含酸、鹼或抗菌劑的產品。請勿對驅動單元使用清潔劑。請避免觸摸驅動單元，因為可能導致損壞。

儘管Bowers & Wilkins揚聲器使用真木外飾，其板材均通過精選，並使用耐紫外線漆處理，以減低隨時間而產生的顏色變化。然而，就像所有的天然材料一樣，表面飾板將受到環境的影響並產生不同程度的顏色變化。可通過將飾板表面同等平均地置於陽光下以修正顏色不一的現象，直到顏色統一。此過程可能需要數天或數星期，但是可通過小心使用紫外線燈來加速此過程。木質飾板表面應遠離直接熱源，例如，發熱器和暖氣出風口，以減小木質板材開裂的可能性。

高音單元外殼具有紋理飾面，搬運時表面可能會留下人為痕跡，可使用隨附的清潔布順著表面紋理擦拭清潔。

1. 開梱

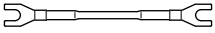

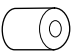

	①
	②

内容物

1 ミッドレンジグリル
 バスグリル2枚
 リンクワイヤーケーブル(2本)
 粘着式プラスチックパッド4枚
 ツーパート・フォームプラグ2個
 クリーニングクロス

HTM81 D4ダイヤモンドおよびHTM82 D4ダイヤモンドは非常に重いので、このスピーカーを使用する部屋で、2人で開梱することを強くお勧めします。また、スピーカーの表面仕上げに傷が付かないよう、予防策として宝飾品を外す方がよいでしょう。

上記の表は、HTM81 D4及びHTM82 D4に同梱されている構成部品を示しています。万一、何かが欠落していた場合は、あなたがスピーカーを購入した小売店までご連絡ください。

	②
	④
	②
	①

グリルはすべて磁気で付いています。重いバス/ミッドレンジ用のグリルは、搬送中に動かないように別の仕切に入っています。

ご注意：マグネット装着式のグリルの着脱時には、本製品に傷をつけないように、注意して行ってください。グリルを落とすと、スピーカー/スタンドの台座に傷が付き、グリルの着脱時に台座を覆うと、傷がつくことを防げます。

トゥイーター・ダイアフラムは非常にデリケートで傷つきやすい部品です。800シリーズ・ダイヤモンドには、様々な破損からトゥイーターを守るスチール製メッシュグリルが取り付けられていますが、それでも取り扱いや手入れは十分慎重に行ってください。

環境関連情報

本製品は以下を含む国際指令に準拠しています。

- i. 電子・電気機器における特定有害物質の使用制限 (RoHS)
- ii. 化学物質の登録、評価、認可および制限 (REACH)
- iii. 廃電気電子機器指令 (WEEE)

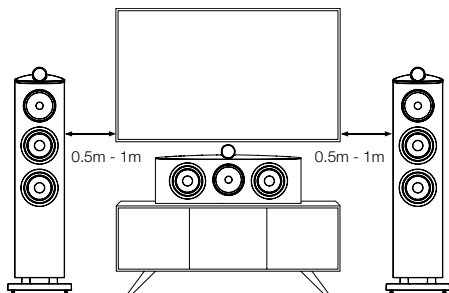
本製品の適切なリサイクルまたは処分方法の指針については現地の廃棄物処理当局にお問い合わせください。

この800シリーズダイヤモンドスピーカーのトゥイーターアセンブリーは、機械的にキャビネットの主要部分から分離されたコンポーネントです。このように、製品が最初にパッケージから取り外されたとき、緩んで見える場合があります。これは故障ではありません：それは本設計の本質的な特徴であり、あなたのスピーカーからの最適な性能を保証します。

輸送中にトゥイーターアセンブリーがわずかに動いてしまい、調整が必要な場合は、アセンブリーをこくわずかに前後に動かして、トゥイーター本体の後部がスピーカーキャビネットの後部と一致するようにすることができます。また、トゥイーターをわずかに回転させて、Bowers & Wilkinsのロゴが垂直方向になるようにすることもできます。これらの調整を行う際には、トゥイーターをやさしく動きが止まった位置以上に無理に押し込まないでください。

注：これらの調整を行うときは、デカップリングアセンブリーを損傷しないように注意する必要があります。トゥイーターアセンブリーの調整について疑問がある場合は、販売店に問い合わせてください。

2. 設置場所



スピーカーの取り付けは

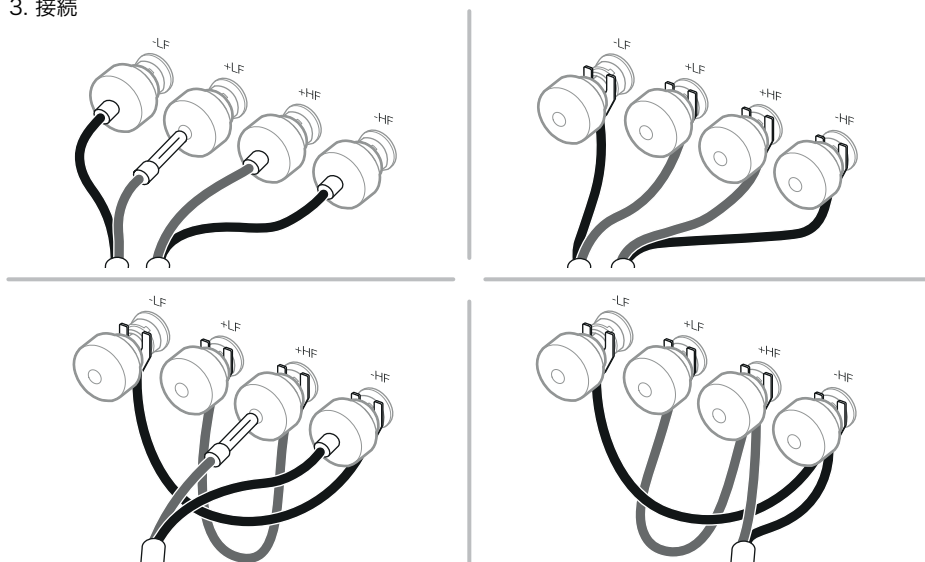
音響透過スクリーンとプロジェクションテレビを使用している場合は、画面の中央の後ろにHTM81 D4またはHTM82 D4スピーカーを配置してください。それ以外の場合は、スピーカーが可能な限り耳の高さになるよう、フロアスタンドや家具、或いは壁の棚等を使ってスクリーンの直接上か下に設置します。

フロアスタンドを使用する場合、FS-HTM D4をお勧めします。FS-HTM D4は、調整可能なセンタースピーカー用スタンドで、HTM81 D4及びHTM82 D4に対して4°～8°の角度調整が可能です。調整の範囲は、あなたが座っている場合、スピーカーの正面が、耳の位置に向かって照準するようにすると簡単です。安全性とパフォーマンスの双方の観点から、フロアスタンドの組み立て指示書に従ってください。

壁の棚や家具ユニットが使用されている場合は、バスレフポートのパフォーマンスを最適化するために(付属の)スポンジ製挿入栓を使用することをお勧めします(「4: 微調整と慣らし運転」を参照)。

注意: 棚に置く場合、重さをしっかりと支えるだけの頑丈さがあることを確認し、粘着式プラスチックフィート4枚をスピーカーの下に入れるようにしてください。

3. 接続



重要安全上の注意

すべての接続は、オーディオ機器の電源をオフにして行う必要があります。電源を入れたままでの操作でオーディオ機器の結線をする場合、絶縁されていないスピーカー端子に触れたり、配線したりすると、不快な感覚が生じることがあります。

HTM81 D4ダイヤモンドおよびHTM82 D4ダイヤモンドスピーカーの端子は様々なケーブル端子に対応しています。4mm バナナプラグ、6mm および 8mm (1/4 インチおよび5/16 インチ) スパードプラグ、または直径最大 4mm (5/32インチ) までの裸線などです。



重要な安全上の注意

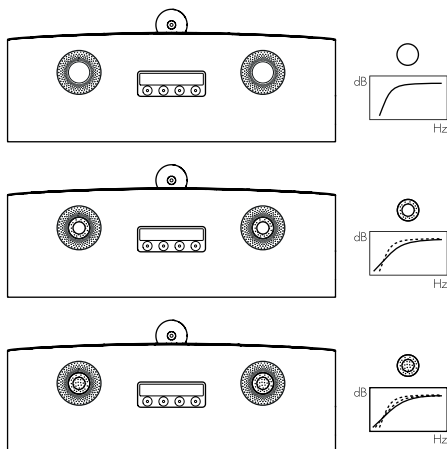
特にヨーロッパ諸国などの一部の国では、4mmバナナプラグは、シャッターのない電源ソケットの穴に挿入される可能性があるため、潜在的に安全上の危険があると考えられています。欧州のCENELEC 安全規則に準拠するため、端子の先端の4mmの穴はプラスチック・ピンで塞がれています。これらの条件が適用される国でこの製品を使用する場合は、子供や知識のない人物が危険な方法でバナナプラグを使用できないようにしてください。バナナプラグを使用する場合は、プラスチックピンを取り外してください。

スピーカー・ケーブルを選ぶ際には販売店に問い合わせてください。総インピーダンスはスピーカーの仕様で推奨される最大値より低くし、低インダクタンス・ケーブルを用いて高音域が減衰しないようにしてください。

各スピーカーの背面には、バイ・ワイヤリングが可能な2組の端子があります(トップ図参照)。従来のシングル・ワイヤ接続を行う場合は、付属のリンク・ワイヤで同じ極性の端子をつないでください。

スピーカーのプラス端子(赤いリング)をアンプのプラス出力端子に、スピーカーのマイナスの端子(黒いリング)をアンプのマイナス出力端子に必ず接続してください。接続を誤っても破損することはありませんが、音像が損なわれ、低音が失われます。端子のキャップは必ず完全に下まで回して締め、ガタつかないようにしてください。

4. 微調整と慣らし運転



ファインチューニングの前に、もう一度全ての設置と接続が正しく且つ安全に行われているか確認して下さい。

一般的に壁からスピーカーを遠ざけると低音域の量が少なくなります。スピーカーの後ろにスペースをつくることによって、音場の奥行き感を得ることができます。逆に言えばスピーカーを壁に近づけることによって低音域のボリュームを増やすことができます。壁からの距離を変えずにスピーカーに低音域のふくらみを低減させたい場合には、スピーカーのバスレフポートにフォームプラグ挿入してみてください。また少し低音域を減少させたい場合はフォームリングをバスレフポートに挿入して下さい。フォームプラグ、又はフォームリングの使用方法は上図を参照してください。まず1つのポートにフォームプラグ/リングを装着して、効果を見てから、両ポートにフォームプラグ/リングを装着した場合の効果の評価するようにしてください。

もし低域が周波数的にフラットではないと思われたら、それはリスニングルームの共振モードのために発生している可能性があります。スピーカーの位置又はリスニングポジション等の小さな変更で、これらの共振の影響が改善される場合もあります。リスニングポジションを移動するか、または異なった壁に沿ってスピーカーの設置位置を変更してみてください。大きな家具の位置や配置の共振モードに影響します。

センターイメージのフォーカスがあいまいな場合は、左右のスピーカーの間隔をもっと狭めるか、スピーカーの設置角度をリスニングポジションの前に合わせ、もっと内側に向けると改善される場合があります。

再生した音が高音域に偏っていると感じられた時は、部屋に音を吸収するような柔らかい家具等を増やしてみてください。(例えば重たいカーテンを使用する等)おそらくサウンドバランスを整える助けとなります。また逆に、再生した音がこもった感じになった場合は、それらの家具を減らしてみてください。

最もシャープな音を聞きたい場合は、バス/ミッドレンジのグリルの端をつかんでキャビネットからそっと引っ張り、グリルを取り外してください。

スピーカーの性能は、御使用になるにつれて微妙に変化します。スピーカーが冷たい環境に保管されていた場合、ドライブユニットのダンピング材とサスペンションが本来の機械的特性を取り戻すまで、しばらく時間が掛かります。ドライブユニットのサスペンションは音量やソースにもよりますが、鳴らし始めてから1時間くらいで徐々にほぐれてきます。スピーカーが意図された性能を取り戻すまでにかかる時間は、開梱までの保管条件や、どの様に使用されるかによって異なります。目安としては、温度による影響を安定させる為、ご使用される状況で1週間、また意図されたデザイン特性に達するために、平均15時間スピーカーを鳴らすことを見込んでください。

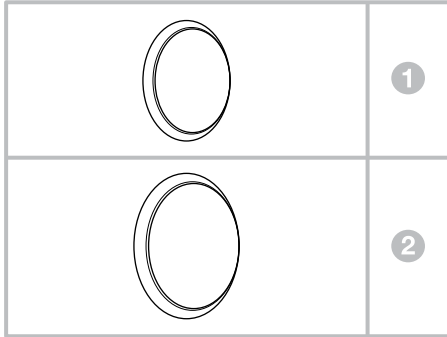
5. お手入れ

キャビネットの表面は、普段はほこりを払うだけで十分です。製品付属の布を使用することをお勧めします。スプレー式クリーナー等のクリーナーを使用する場合は、一部のクリーナーでは表面にダメージを与えることもありますので、クリーナーを直接製品に吹き付けるのではなく、布に吹き付けて、まず狭い範囲で試してください。ドライブ・ユニットにはクリーナーを使用しないでください。ダメージを与える可能性があるため、ドライブ・ユニットには触れないで下さい。

Bowers & Wilkinsでは、リアルウッド仕上げのスピーカーには最高級の化粧板を選び、色の経年変化を最小限にする紫外線抵抗色のカラー塗料で処理しています。それでも、あらゆる自然素材と同様に、化粧板は、環境の影響を受け、ある程度の色の変化が予想されます。色の変化は、化粧板の全表面を、色が一樣になるまでむらなく均等に日光をあてることで修正できます。この処理には数日または数週間かかる場合がありますが、紫外線ランプを注意して使用することで所要時間を短縮することができます。また、化粧板の表面に亀裂が入る可能性を最小限に抑えるために、ラジエーターや暖気排出口等の直接的な熱源から離れた場所に置いてください。

トゥイーターハウジングには、取り扱い時に表面に跡が残る可能性のある質感加工された表面仕上げであり、表面の質感に合わせて、付属のクリーニングクロスでハウジングの周りを拭いてクリーニングする必要があります。

1. 박스 개봉

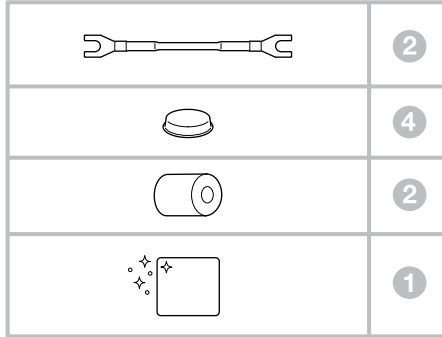


내용물

- 1 미드 레인지 그릴
- 2 베이스 그릴
- 2 터미널 링크 와이어
- 4 접착식 플라스틱 패드
- 2 두 개의 폼 플러그
- 1 청소용 천

HTM81 D4 및 HTM82 D4는 설치할 장소에서 2명 이상이 포장을 해제하실 것을 추천합니다. 또, 스피커의 표면 마감에 흠이 나지 않도록 예방책으로서 보석 장식품은 벗는 편이 좋습니다.

HTM81 D4와 HTM82 D4 포장 안에 포함되어 있는 부속물을 상기 표에 나타냈습니다. 만약 부속물 중 포함되지 않은 것이 있다면 구입처에 문의하여 주시기 바랍니다.



스피커 그릴은 자력으로 부착됩니다. 미드레인지용 그릴을 다는 경우에는 그릴을 돌려 자력이 제일 강한 위치를 찾아내 거기에 맞추어 주십시오.

주의: 자력으로 부착된 그릴을 장착하거나 분리할 때 제품에 자국을 내지 않도록 주의해야 합니다. 그릴을 떨어뜨리면 스피커/스탠드 플린스에 자국을 냅니다. 그릴을 장착하거나 분리할 때 플린스를 덮어 이 문제를 완화할 수 있습니다.

트위터 다이아프램은 손상되기 매우 쉽습니다. 800시리즈 다이아몬드에는 스틸 그릴 메쉬가 장착되어 있어 예상치 못한 손상으로부터 트위터를 보호합니다. 그러나 스피커를 다룰 때나 청소할 때는 주의해야 합니다.

환경 정보

본 제품은 다음을 포함한 국제 지침을 준수하고 있습니다.

- i. 전기전자제품에 대한 유해물질의 사용제한 (RoHS)
- ii. 화학물질관리제도 (REACH)
- iii. 폐전기전자제품처리지침 (WEEE)

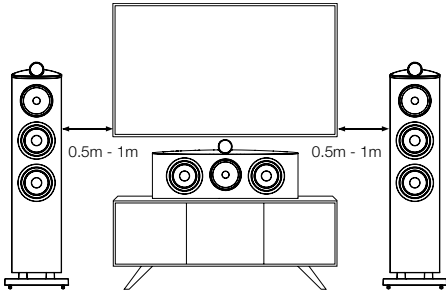
포장재나 제품을 폐기할 경우 재활용 가능 자원의 분리 배출요령에 따라 수거하여 주십시오.

800 Series Diamond 라우드스피커의 트위터 어셈블리는 캐비닛의 주요 부품에서 기계적으로 분리된 비결합된 컴포넌트입니다. 따라서 제품을 포장에서 처음 꺼낼 때 느슨해 보일 수도 있습니다. 느슨해 보이는 현상은 결함이 아니고 디자인의 고유한 기능이며 스피커의 최적 성능을 보장합니다.

트위터 어셈블리가 운송 중에 움직여서 조정이 필요한 경우, 어셈블리를 약간 앞/뒤로 움직여 트위터 본체의 후면이 스피커 캐비닛의 후면과 정렬되도록 할 수 있습니다. 트위터 어셈블리를 약간 회전시켜 Bowers & Wilkins 로고가 수직 방향이 되도록 할 수도 있습니다. 이러한 조정을 할 때 트위터를 소프트 엔드 스톱을 넘어서는 위치로 강제로 밀어 넣지 마십시오.

주의: 이러한 조정을 수행할 때 비결합된 어셈블리가 손상되지 않도록 주의해야 합니다. 트위터 어셈블리 조정이 확실하지 않은 경우, 대리점에 지원을 요청하십시오.

2. 설치 위치



스피커 설치 위치

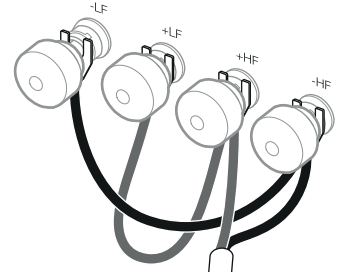
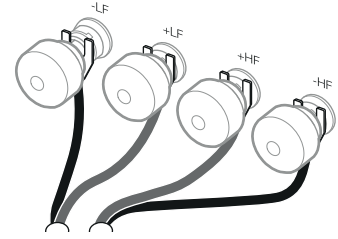
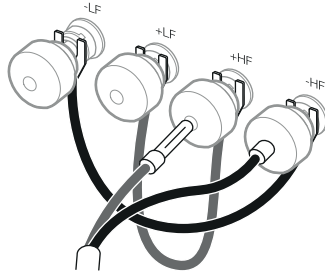
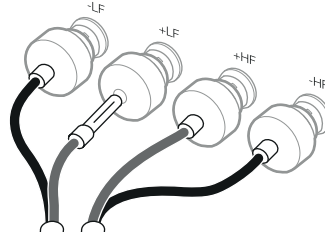
음향을 투과하는 사운드 스크린과 함께 프로젝터를 사용할 경우 HTM81 D4 또는 HTM82 D4 스피커를 스크린의 센터 뒤에 배치하십시오. 그렇지 않을 경우, 플로어 스탠드, 가구, 벽 선반을 이용하여 스크린 바로 아래 또는 위에 가능한 한 귀 높이와 거의 일치하도록 설치하여 주십시오.

플로어 스탠드를 사용할 경우 전용 스탠드 FS-HTM D4를 권장합니다. FS-HTM D4는 HTM81 D4나 HTM82 D4 스피커를 4° 또는 8° 각도로 조절이 가능합니다. 이 범위는 리스너가 앉았을 때 스피커를 리스너의 귀 높이로 향하기 쉽게 조절할 수 있는 각도입니다. 플로어 스탠드 조립 지침은 안전과 성능을 위해 중요하므로 매뉴얼을 참조하십시오.

선반이나 가구를 이용하여 설치할 경우에는 폼 플러그를 사용하여 포트 퍼포먼스를 최적화할 것을 권장합니다 ('섹션 4: 미세 조정 및 실행'을 참조하십시오.).

주의: 선반 위에 설치할 경우 선반이 스피커 하중을 충분히 지지할 수 있어야 하며 4개의 점착 고무 패드를 스피커 바닥에 부착하여 주십시오.

3. 연결



중요한 안전 지침

모든 연결은 오디오 장비를 끈 상태에서 수행해야 합니다. 정상 작동 상태에서 오디오 장비를 사용할 때 절연되지 않은 스피커 단자 또는 배선에 접촉하면 예기치 않은 결과를 초래할 수 있습니다.

HTM81 D4 및 HTM82 D4 스피커 단자는 4mm 바나나 플러그, 6mm, 8mm 스페이드 그리고 4mm 구경의 나선까지 여러 가지로 단말 처리된 케이블을 연결할 수 있습니다.

중요한 안전상의 주의

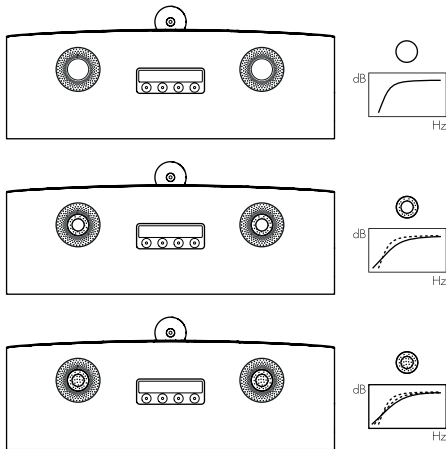
한국과 유럽을 비롯한 일부 국가의 경우 4mm 바나나 플러그는 전원 콘센트 (차단 셔터가 없는)에 삽입될 수 있기 때문에 잠재적 안전 위험 요소로 간주되고 있습니다. 유럽 전기표준회의(CENELEC) 규정에 부합하기 위해 4mm 구경의 단자 홀은 플라스틱 핀으로 차단됩니다. 이와 같은 조건이 적용되는 국가에서 본 제품을 사용할 경우 바나나 플러그는 어린이나 사전 지식이 없는 사람들에게 위험을 줄 수 있기 때문에 사용할 수 없다는 것을 명심하십시오. 바나나 플러그를 사용하려는 경우, 플라스틱 핀을 제거할 수 있습니다.

스피커 케이블을 선택하려면 구입처에 문의하여 주십시오. 총 임피던스는 스피커의 사양에서 추천되는 최대치보다 낮게 하고 저 임피던스 케이블을 사용하여 고역이 감소하지 않도록 하십시오.

스피커 후면에는 2쌍의 단자가 있어서 바이-와이어링 연결이 가능합니다.(위) 일반적인 싱글 와이어링 연결에서는 부속의 점퍼 케이블로 동일 크성의 단자를 연결하십시오.

스피커의 플러스 단자(적색)와 앰프의 플러스 출력 단자가, 스피커의 마이너스 단자(흑색)와 앰프의 마이너스 출력 단자가 올바르게 연결되었는지 확인하십시오. 연결이 올바르지 않을 경우 스피커가 손상되지는 않지만 스테레오 이미지가 흐려지고 지역이 손실될 수 있습니다. 단자 캡은 풀리지 않도록 항상 꼭 조여 주십시오.

4. 미세조정 및 실행



튜닝을 실시하기 전에 모든 연결 상태가 올바르고 안전한지 확인하십시오.

일반적으로 스피커를 벽에서 멀리 떼어 놓을수록 저음이 감소됩니다. 스피커 뒤쪽에 공간을 확보해야만 깊이 있는 음장감을 얻을 수 있습니다. 반대로 말하면 스피커를 벽에 가까이 설치하면 저음이 증가합니다. 벽과의 거리를 변경하지 않고 저음 양을 줄이고 싶다면 스피커의 베이스 포트에 폼 플러그를, 저음 양을 약간만 줄이려면 베이스 포트에 폼 링을 삽입해 보십시오. (위 그림) 두 개의 포트에 폼 플러그/링을 장착했을 때 발생하는 영향을 평가하기 전에 포트 중 하나에 폼 플러그/링을 장착했을 때 발생하는 영향을 평가해보십시오.

속시 저역 주파수가 고르지 않다고 느껴지면 이는 리스닝 룸의 공진 모드 때문일 가능성이 있습니다. 스피커의 위치 또는 감상 위치가 조금만 바뀌어도 이러한 공진의 영향이 개선될 수 있습니다. 감상 위치를 이동하거나 스피커를 다른 벽 쪽으로 옮겨 보십시오. 큰 가구의 위치가 공진모드에 영향을 미칠 수 있습니다.

센터 이미지가 뚜렷하지 않을 경우 좌우 스피커의 간격을 줄이거나 스피커의 설치각도를 청취 위치 앞에 맞추어 좀 더 안쪽으로 향하게 하면 개선될 수도 있습니다.

고음이 많아 소리가 밝게 들릴 경우에는 음을 흡수하는 부드러운 가구 등을 늘리면 (예를 들면 두꺼운 커튼을 사용하는 등) 사운드 밸런스를 조정하는데 도움이 됩니다. 반대로 음이 명료하지 않으면 이런 가구를 줄여 보십시오.

가장 사소한 음으로 감상하시려면 저음, 중음 그릴을 제거하십시오. 그릴 가장자리를 잡은 후 부드럽게 당겨서 캐비닛으로부터 분리하십시오.

스피커의 성능은 초기 사용 기간 동안 미소하게 변화됩니다. 스피커를 차가운 곳에서 보관한 경우에는 드라이브 유닛의 땀핀재 및 서스펜션이 본래의 기계적 특성을 정상적으로 회복하기까지 일정 시간이 소요됩니다. 또한 드라이브 유닛 서스펜션도 처음 한 시간만 사용하면 부드러워집니다. 스피커가 본래의 성능을 회복하기까지 필요한 시간은 보관 조건이나 사용 상태 등에 따라 다릅니다. 스피커가 온도 영향을 받지 않고 안정되기까지는 최소 1주일이 걸리며, 기계적 부품들은 평균 15시간 정도 사용한 후에야 본래의 디자인 특성을 얻을 수 있습니다.

5. 관리

캐비닛 표면은 먼지만 닦으면 됩니다. 에어로졸이나 클리너를 사용할 경우에는 먼저 캐비닛에서 그릴을 조심스럽게 분리하십시오. 스프레이는 캐비닛에 직접 뿌리지 말고 부드러운 천에 뿌려 사용하십시오. 클리너가 스피커 표면에 손상을 주지 않는지 먼저 국부 테스트를 통해 확인하십시오. 연마성이 있거나 산, 알칼리, 항균제를 함유한 제품은 사용하지 마십시오. 드라이브 유닛 표면에는 클리너를 사용하지 마십시오. 드라이브 유닛은 손상될 위험이 있으므로 건드리지 않도록 각별히 주의하십시오.

리얼 우드로 마감되는 Bowers & Wilkins 스피커는 최상급 비니어를 염선, UV를 차단하는 락커로 처리함으로써 오랜 시간이 흘러도 색상 변화가 최소화됩니다. 모든 자연 소재처럼 비니어도 환경에 따라 어느 정도 색상이 변화됩니다. 특히 그릴로 덮여있는 부분이나 그림자로 덮여 있던 부위는 다른 부위보다 색상 변화가 보다 서서히 진행되기 때문에 변색 효과를 쉽게 알 수 있습니다. 색상이 차이가 나게 되면 비니어 표면 전체를 노출시켜 색상이 갈아질 때까지 고르게 햇빛을 쬐면 없어집니다. 이 과정은 수일 또는 수주가 걸릴 수도 있으나 UV 램프를 조심스럽게 사용하면 기간을 단축시킬 수 있습니다. 우드 비니어가 갈라지거나 트는 것을 방지하기 위해 라디에이터나 온풍기와 같이 열이 발생하는 기기 근처에는 설치하지 마십시오.

트위터 하우징은 취급 시 표면에 자국이 남을 수 있는 특별한 질감이 있는 표면 마감 처리가 되어 있으므로, 제공된 청소용 천으로 하우징 주변을 표면 질감과 정렬시켜 청소해야 합니다.

Bowers & Wilkins

B&W Group Ltd
Dale Road
Worthing, West Sussex
BN11 2BH, England

EU Importer:
Bowers & Wilkins
Beemdstraat 11
5653 MA Eindhoven
The Netherlands

Copyright © B&W Group Ltd. E&OE
Printed in England